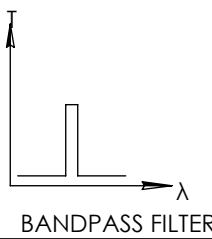
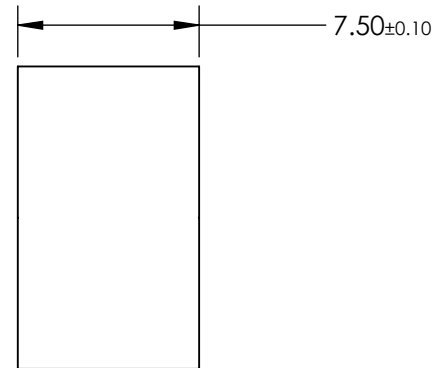
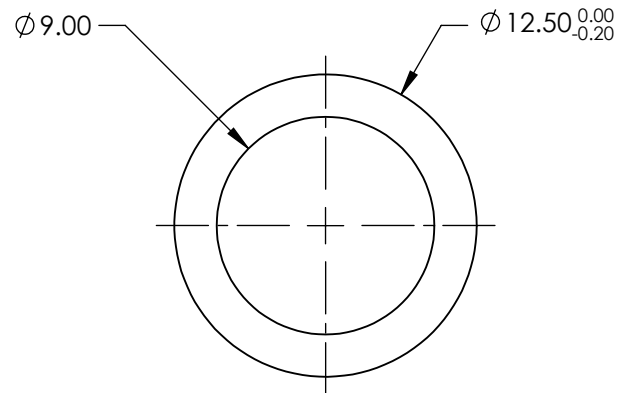
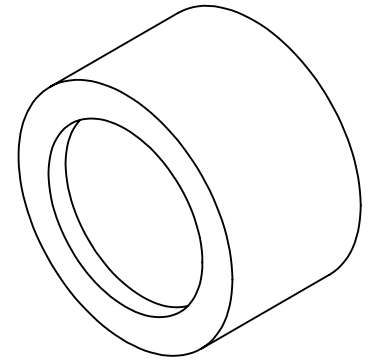


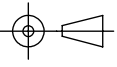
**FOR INFORMATION ONLY:
DO NOT MANUFACTURE
PARTS TO THIS DRAWING**



	VALUE
OPTICAL DENSITY	≥ 3.0
CENTER WAVELENGTH (CWL)	800 ± 2 nm
FULL WIDTH HALF MAX (FWHM)	10 ± 2 nm
MINIMUM TRANSMISSION	≥ 50 %
BLOCKING	200 - 1200nm
SURFACE QUALITY	80-50
CONSTRUCTION	MOUNTED IN BLACK ANODIZED RING
COATING TYPE	TRADITIONAL COATED

SPECIFICATIONS SUBJECT TO CHANGE WITHOUT NOTICE
DIMENSIONS ARE FOR REFERENCE ONLY



THIRD ANGLE PROJECTION 	TITLE	$\phi 12.5$ mm, 800nm x 10nm, MOUNTED BANDPASS FILTER	
ALL DIMS IN	mm	DWG NO	65664
			SHEET 1 OF 1