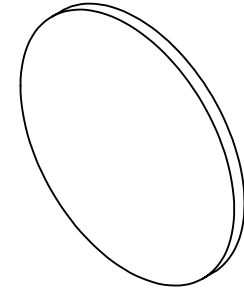


NOTES:

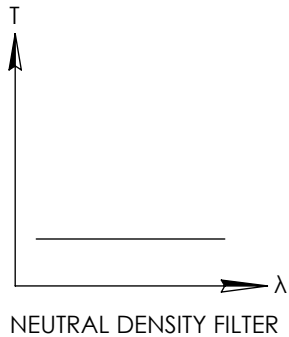
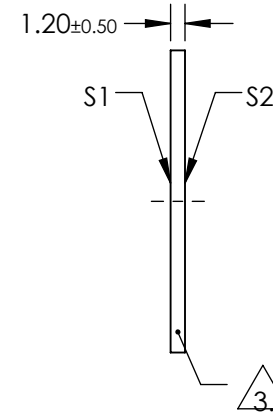
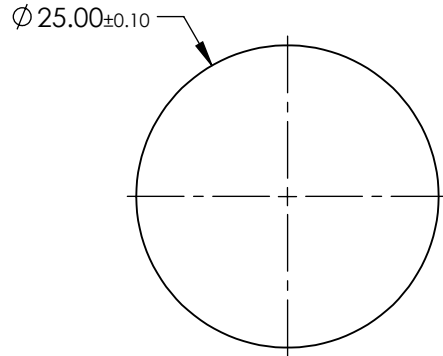
1. SUBSTRATE:  
HOYA GLASS: ND-70
2. SURFACE S2 TO BE PARALLEL WITH SURFACE S1 TO WITHIN <0.02 mm

FOR INFORMATION ONLY:  
DO NOT MANUFACTURE  
PARTS TO THIS DRAWING



3. FINE GRIND SURFACE

4. OPTICAL DENSITY: 0.1 ±0.03
5. TRANSMISSION (%): 79 % AVERAGE FROM 400-700nm
6. ROHS COMPLIANT



SPECIFICATIONS SUBJECT TO CHANGE WITHOUT NOTICE  
DIMENSIONS ARE FOR REFERENCE ONLY

**EO**® Edmund Optics®

|                 |                      |                      |                        |    |        |                                    |              |
|-----------------|----------------------|----------------------|------------------------|----|--------|------------------------------------|--------------|
|                 | S1                   | S2                   | THIRD ANGLE PROJECTION |    | TITLE  | OD 0.1, Ø25mm ABSORPTIVE ND FILTER |              |
| SHAPE           | PLANO                | PLANO                | ALL DIMS IN            | mm | DWG NO | 63460                              | SHEET 1 OF 1 |
| SURFACE QUALITY | 80-50                | 80-50                |                        |    |        |                                    |              |
| BEVEL           | PROTECTIVE AS NEEDED | PROTECTIVE AS NEEDED |                        |    |        |                                    |              |