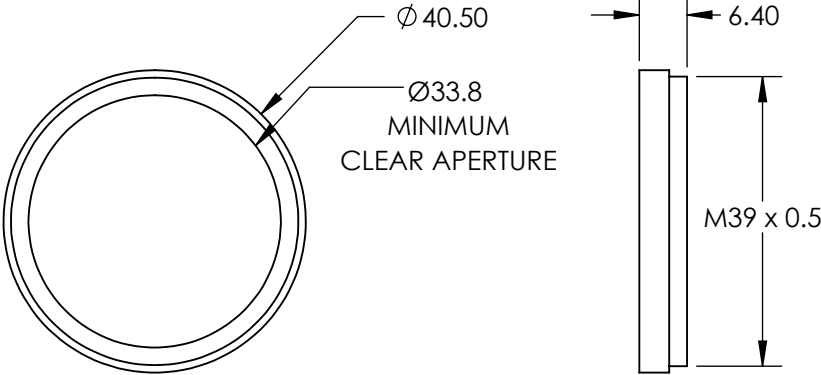
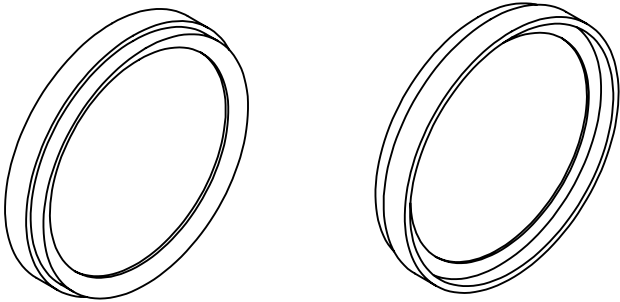


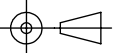
**FOR INFORMATION ONLY:  
DO NOT MANUFACTURE  
PARTS TO THIS DRAWING**



SPECIFICATIONS SUBJECT TO CHANGE WITHOUT NOTICE  
DIMENSIONS ARE FOR REFERENCE ONLY



REV. A	VALUE
CUT-ON WAVELENGTH	N/A
CUT-OFF WAVELENGTH	<750nm
SURFACE QUALITY	60-40

THIRD ANGLE PROJECTION 

ALL DIMS IN mm

TITLE	M39 X 0.5 MOUNTED IR CUT-OFF FILTER
DWG NO	49803
SHEET 1 OF 1	