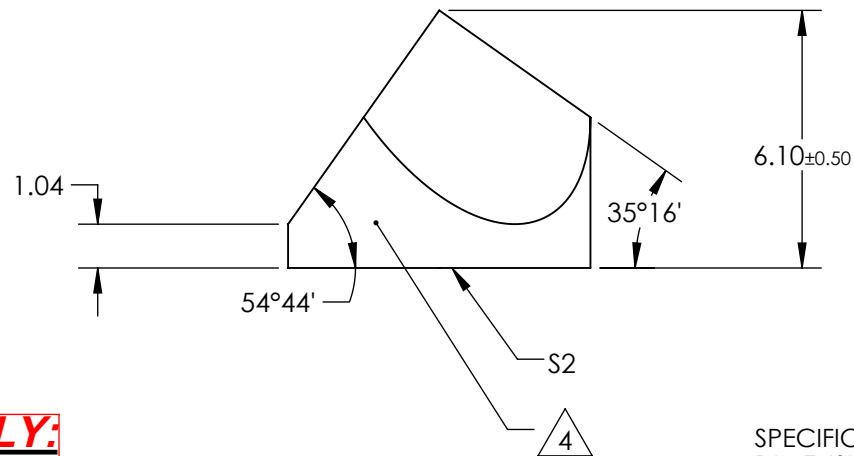
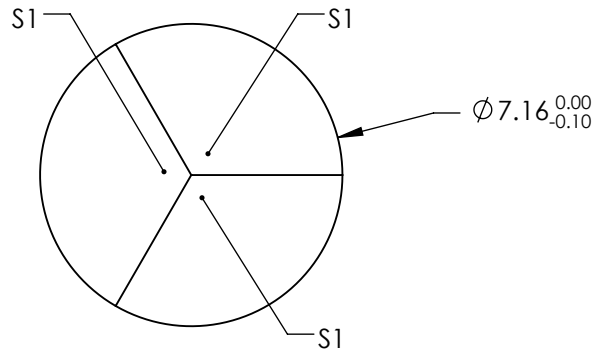
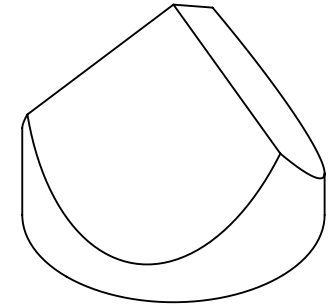


NOTES:

1. SUBSTRATE:
N-BK7
2. INCIDENT AND REFLECTED BEAMS SHALL BE PARALLEL TO WITHIN 10 ARCSEC
3. COATING (APPLY ACROSS COATING APERTURE)
S1: PROTECTED SILVER
R(AVG) >98% @ 500 - 800nm
R(AVG) >98% @ 2 - 10 μm W/BLACK OVERPAINT
S2: VIS 0°
R(AVG) ≤0.4% @ 425 - 675nm
4. FINE GRIND SURFACE
5. ROHS: COMPLIANT



**FOR INFORMATION ONLY:
DO NOT MANUFACTURE
PARTS TO THIS DRAWING**

SPECIFICATIONS SUBJECT TO CHANGE WITHOUT NOTICE
DIMENSIONS ARE FOR REFERENCE ONLY

REV A	S1 & S2
SURFACE FLATNESS	$\lambda/8$
SURFACE QUALITY	60-40
WAVELENGTH RANGE	425 - 675 nm
BEVEL	PROTECTED AS NEEDED

THIRD ANGLE PROJECTION	
ALL DIMS IN	mm

EO® Edmund Optics®

TITLE	7.16mm SILVER AND VIS 0° COATED, CORNER CUBE PRISM
DWG NO	48605
SHEET	1 OF 1