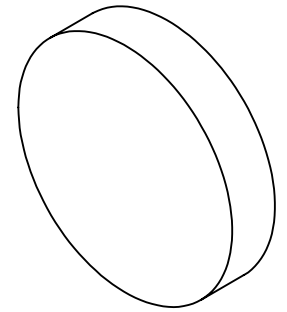


NOTES:

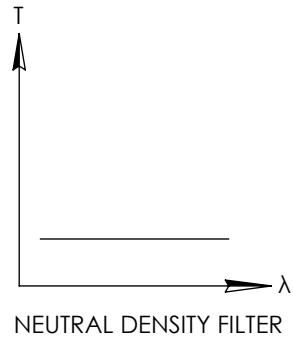
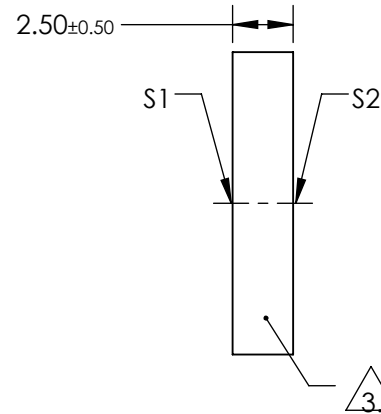
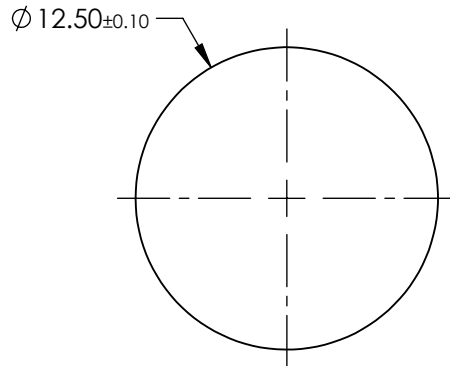
1. SUBSTRATE:  
HOYA GLASS: ND-70
2. SURFACE S2 TO BE PARALLEL WITH SURFACE S1 TO WITHIN <0.02 mm
3. FINE GRIND SURFACE
4. OPTICAL DENSITY: 0.15 ±0.03
5. TRANSMISSION (%): 70 % AVERAGE FROM 400-700nm
6. ROHS COMPLIANT

FOR INFORMATION ONLY:  
DO NOT MANUFACTURE  
PARTS TO THIS DRAWING



3. FINE GRIND SURFACE

4. OPTICAL DENSITY: 0.15 ±0.03
5. TRANSMISSION (%): 70 % AVERAGE FROM 400-700nm
6. ROHS COMPLIANT



SPECIFICATIONS SUBJECT TO CHANGE WITHOUT NOTICE  
DIMENSIONS ARE FOR REFERENCE ONLY

**EO**® Edmund Optics®

	S1	S2	THIRD ANGLE PROJECTION		TITLE	OD 0.15, Ø12.5mm ABSORPTIVE ND FILTER	
SHAPE	PLANO	PLANO	ALL DIMS IN	mm	DWG NO	48523	SHEET 1 OF 1
SURFACE QUALITY	80-50	80-50					
BEVEL	PROTECTIVE AS NEEDED	PROTECTIVE AS NEEDED					