

NOTES:

1. SUBSTRATE

FUSED SILICA

2. SURFACE S2 TO BE PARALLEL WITH S1 WITHIN < 3 ARCMIN

3. COATING (APPLY ACROSS CLEAR APERTURE)

S1: DIELECTRIC

R(abs) >99% @ 532 & 1064nm @ 45° AOI

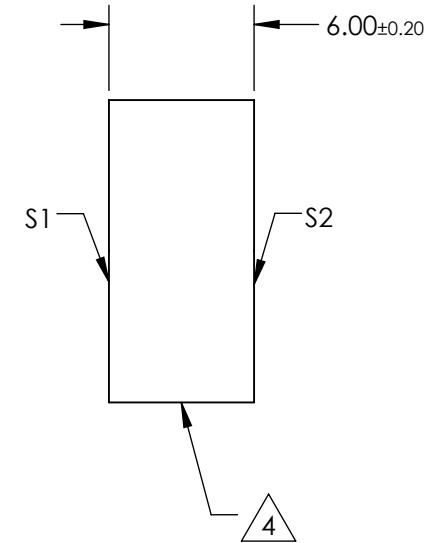
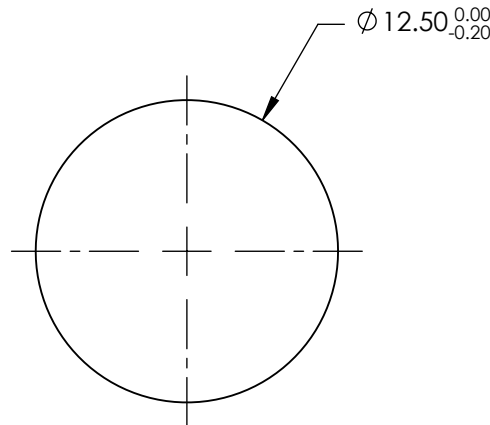
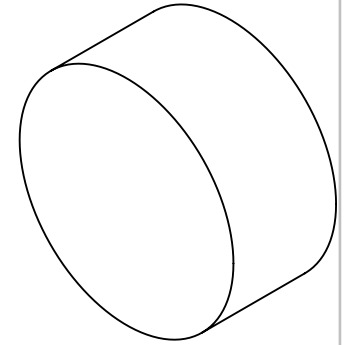
DAMAGE THRESHOLD: 20 J/cm² @ 20ns

S2: NONE

4. FINE GROUND SURFACE

5. POWER, IRREGULARITY, SURFACE QUALITY, AND COATING SPECIFICATIONS APPLY ACROSS CLEAR APERTURE

6. RoHS COMPLIANT



**FOR INFORMATION ONLY:  
DO NOT MANUFACTURE  
PARTS TO THIS DRAWING**

SPECIFICATIONS SUBJECT TO CHANGE WITHOUT NOTICE  
DIMENSIONS ARE FOR REFERENCE ONLY

REV. A	S1	S2
SHAPE	PLANO	PLANO
SURFACE FLATNESS	$\lambda/10$	N/A
SURFACE QUALITY	10 - 5	FINE GROUND
CLEAR APERTURE	Ø11.25	N/A
BEVEL	PROTECTIVE AS NEEDED	PROTECTIVE AS NEEDED

THIRD ANGLE PROJECTION

ALL DIMS IN mm

Edmund Optics®

TITLE

Ø12.5mm, 532 & 1064nm, 45°, ND:YAG LASER LINE MIRROR

DWG NO

47976

SHEET 1 OF 1