

NOTES:

1. SUBSTRATE

FUSED SILICA

2. SURFACE S2 TO BE PARALLEL WITH S1 WITHIN < 3 ARCMIN

3. COATING (APPLY ACROSS CLEAR APERTURE)

S1: Laser Mirror (1064nm)

R(ABS) >99.8% @ 1064nm @ 45° AOI

R(AVG) >99.5% @ 1046 - 1074nm @ 45° AOI

DAMAGE THRESHOLD,

PULSED: 20 J/cm<sup>2</sup> @ 1064nm, 20ns, 20Hz

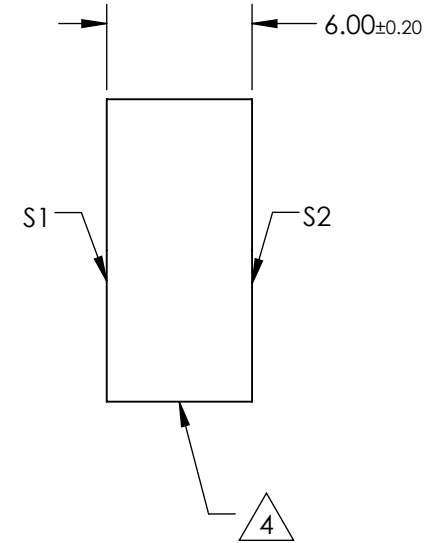
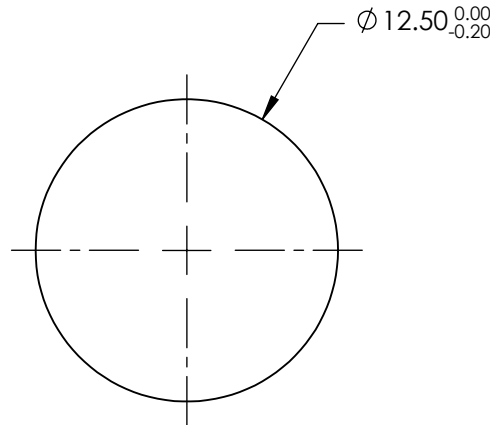
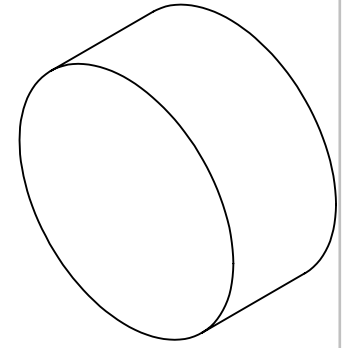
CW: 1MW/cm<sup>2</sup> @ 1064nm

S2: NONE

4. FINE GROUND SURFACE

5. POWER, IRREGULARITY, SURFACE QUALITY, AND COATING SPECIFICATIONS APPLY ACROSS CLEAR APERTURE

6. RoHS COMPLIANT



**FOR INFORMATION ONLY:  
DO NOT MANUFACTURE  
PARTS TO THIS DRAWING**

SPECIFICATIONS SUBJECT TO CHANGE WITHOUT NOTICE  
DIMENSIONS ARE FOR REFERENCE ONLY

	S1	S2
SHAPE	PLANO	PLANO
SURFACE FLATNESS	$\lambda/10$	N/A
SURFACE QUALITY	10-5	FINE GROUND
CLEAR APERTURE	Ø11.25	N/A
BEVEL	PROTECTIVE AS NEEDED	PROTECTIVE AS NEEDED

THIRD ANGLE PROJECTION

ALL DIMS IN mm

Edmund Optics®

TITLE: Ø12.5mm, 1064nm, 45°, ND:YAG LASER LINE MIRROR

DWG NO: 45986

SHEET 1 OF 1