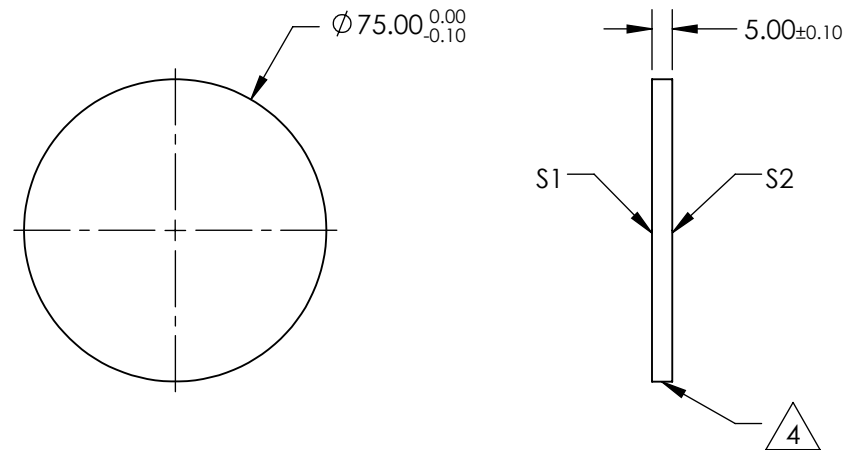
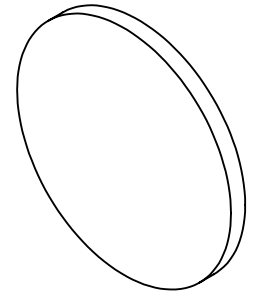


NOTES:

1. SUBSTRATE:  
VACUUM UV GRADE CaF2
2. SURFACE S2 TO BE PARALLEL WITH S1 TO <1 arcmin
3. COATING (APPLY ACROSS CLEAR APERTURE)  
S1 & S2: NONE

 FINE GRIND SURFACE



**FOR INFORMATION ONLY:  
DO NOT MANUFACTURE  
PARTS TO THIS DRAWING**

SPECIFICATIONS SUBJECT TO CHANGE WITHOUT NOTICE  
DIMENSIONS ARE FOR REFERENCE ONLY

	S1	S2
SHAPE	PLANO	PLANO
SURFACE QUALITY	40-20	40-20
CLEAR APERTURE	$\varnothing 67.50$	$\varnothing 67.50$
BEVEL	PROTECTIVE AS NEEDED	PROTECTIVE AS NEEDED



ALL DIMS IN mm

 **Edmund Optics®**

TITLE

$\varnothing 75\text{mm}$ , UNCOATED, CALCIUM FLUORIDE WINDOW

DWG NO

87705

SHEET  
1 OF 1