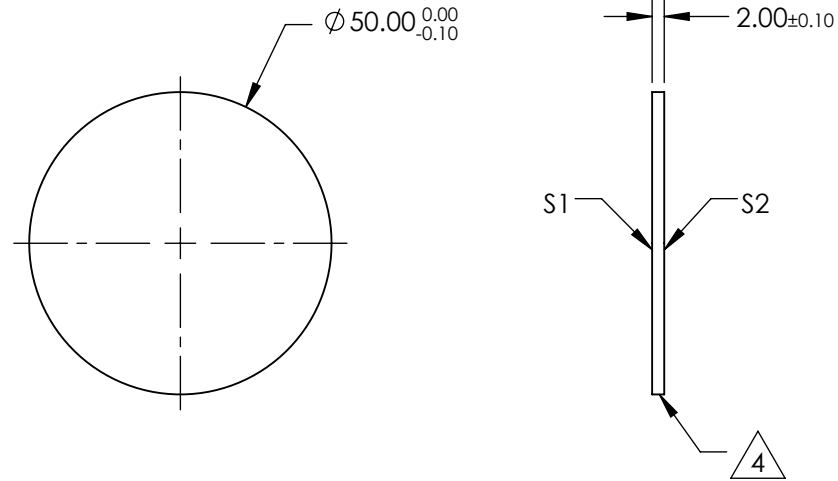
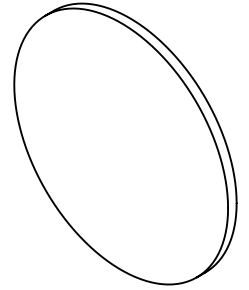


NOTES:

1. SUBSTRATE:  
GERMANIUM (GE)
2. SURFACE S2 TO BE PARALLEL TO S1 WITHIN 1 ARCMIN
3. ANTI REFLECTION SURFACE TREATMENT (APPLY ACROSS CLEAR APERTURE)  
S1 & S2: NONE

 4. FINE GRIND SURFACE

5. RoHS COMPLIANT



**FOR INFORMATION ONLY:  
DO NOT MANUFACTURE  
PARTS TO THIS DRAWING**

SPECIFICATIONS SUBJECT TO CHANGE WITHOUT NOTICE  
DIMENSIONS ARE FOR REFERENCE ONLY

	S1	S2
SHAPE	PLANO	PLANO
SURFACE QUALITY	60-40	60-40
SURFACE FLATNESS	$\lambda/10 @ 10.6\mu\text{m}$	$\lambda/10 @ 10.6\mu\text{m}$
BEVEL	PROTECTIVE AS NEEDED	PROTECTIVE AS NEEDED

THIRD ANGLE PROJECTION 

ALL DIMS IN mm

 <sup>®</sup> Edmund Optics<sup>®</sup>

TITLE

$\varnothing 50\text{mm} \times 2\text{mm}$  THICK, UNCOATED, GE WINDOW

DWG NO

83346

SHEET  
1 OF 1