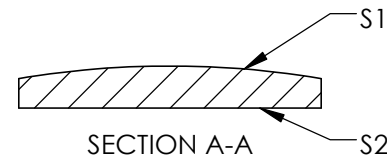
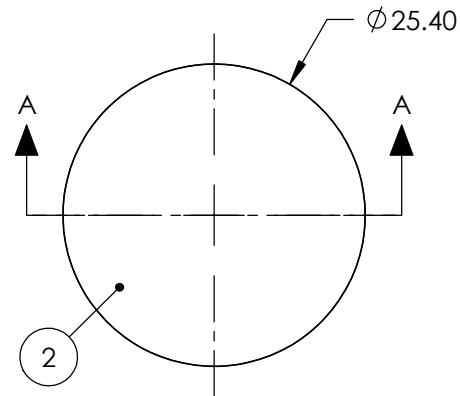
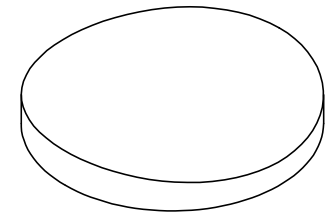


NOTES:

1. SUBSTRATE:
GRADE A FINE ANNEALED
- ② COATING (APPLY ACROSS COATING APERTURE)
NONE
NONE
3. CENTERING TOLERANCE (AT 587.6nm):
PLANO AXIS WEDGE: < 5 ARCMIN
POWER AXIS WEDGE: < 5 ARCMIN
- △ 4. FINE GRIND SURFACE
5. POWER, IRREGULARITY, AND SURFACE QUALITY
SPECIFICATIONS APPLY ACROSS CLEAR APERTURE
6. FOCAL LENGHT (EFL): 150nm
BACK FOCAL LENGTH (BFL): 147.69nm
7. RoHS COMPLIANT



**FOR INFORMATION ONLY:
DO NOT MANUFACTURE
PARTS TO THIS DRAWING**

SPECIFICATIONS SUBJECT TO CHANGE WITHOUT NOTICE
DIMENSIONS ARE FOR REFERENCE ONLY

EO® Edmund Optics®

	S1	S2	THIRD ANGLE PROJECTION		TITLE	LENS PCX CYLINDER 25.40mm Dia x 150.00mm EFL	
SHAPE	CONVEX	PLANO			ALL DIMS IN mm	DWG NO 34614	SHEET 1 OF 1
SURFACE QUALITY	40 - 20	40 - 20					
CLEAR APERTURE	$\phi 22.86$	$\phi 22.86$					
BEVEL	PROTECTIVE AS NEEDED	PROTECTIVE AS NEEDED					