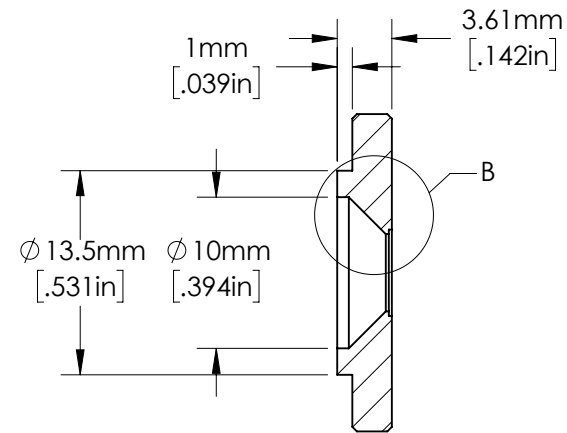
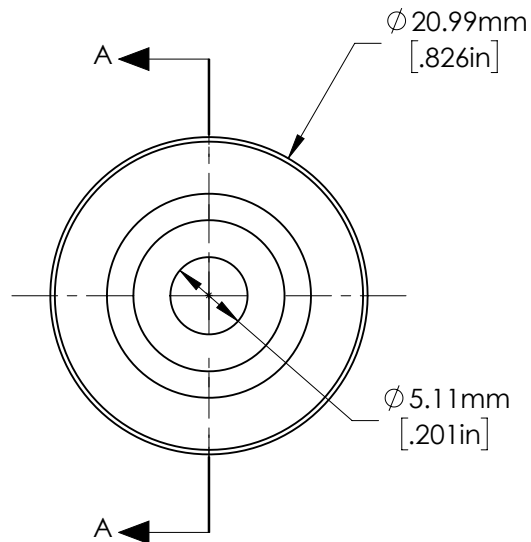


DETAIL B



SECTION A-A

SPECIFICATIONS SUBJECT TO CHANGE WITHOUT NOTICE
DIMENSIONS ARE FOR REFERENCE ONLY

**FOR INFORMATION ONLY:
DO NOT MANUFACTURE
PARTS TO THIS DRAWING**

EO® **Edmund Optics**®

TITLE	F2.8 APERTURE FOR 16mm Cx LENS	
DWG NO	33639	SHEET 1 OF 1