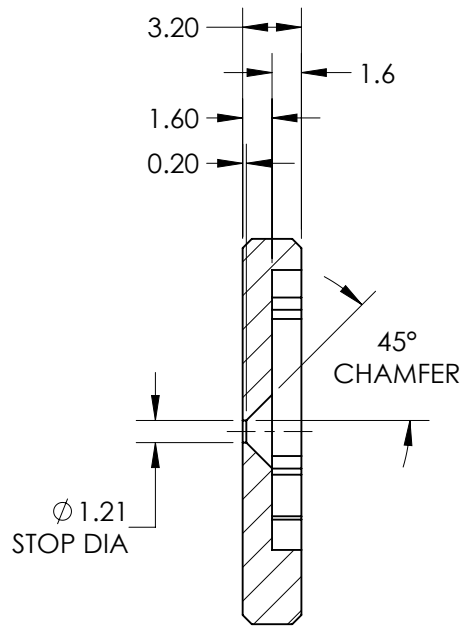
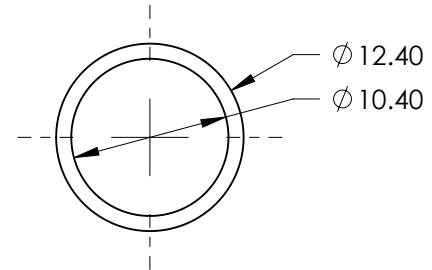
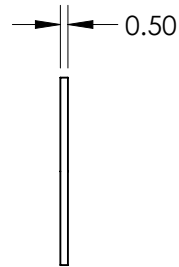
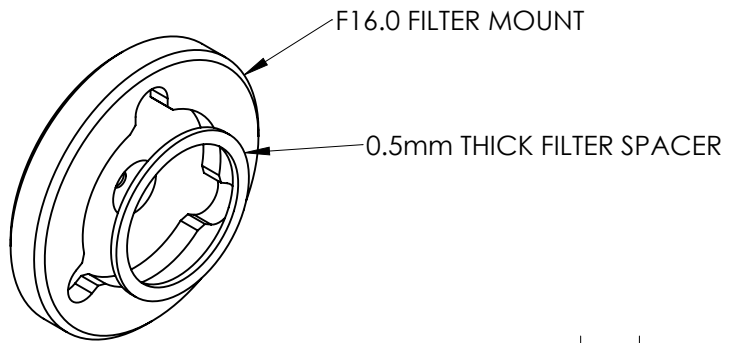
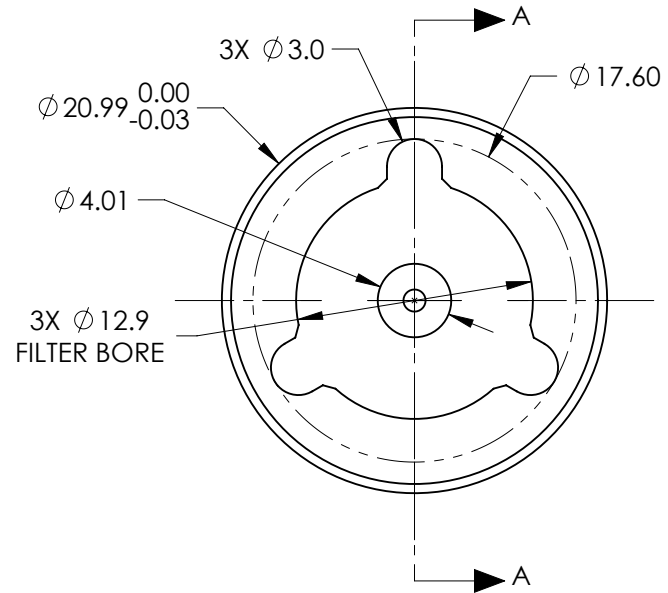


FOR INFORMATION ONLY:
DO NOT MANUFACTURE PARTS TO THIS DRAWING

SPECIFICATIONS SUBJECT TO CHANGE WITHOUT NOTICE
 DIMENSIONS ARE FOR REFERENCE ONLY
 DIMENSIONS ARE IN mm [INCHES]



SECTION A-A



EO® **Edmund Optics**®

TITLE	F16.0 FILTER MOUNT ASSEMBLY FOR 35mm Cx LENS	
DWG NO	33620	SHEET 1 OF 1