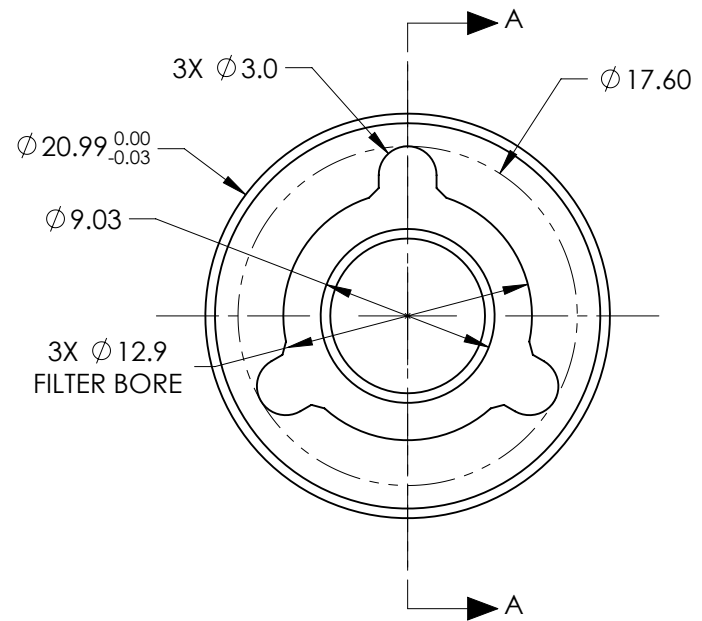
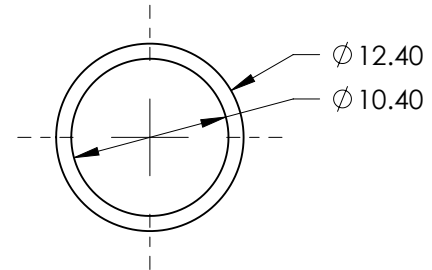
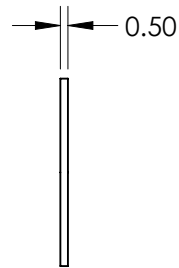
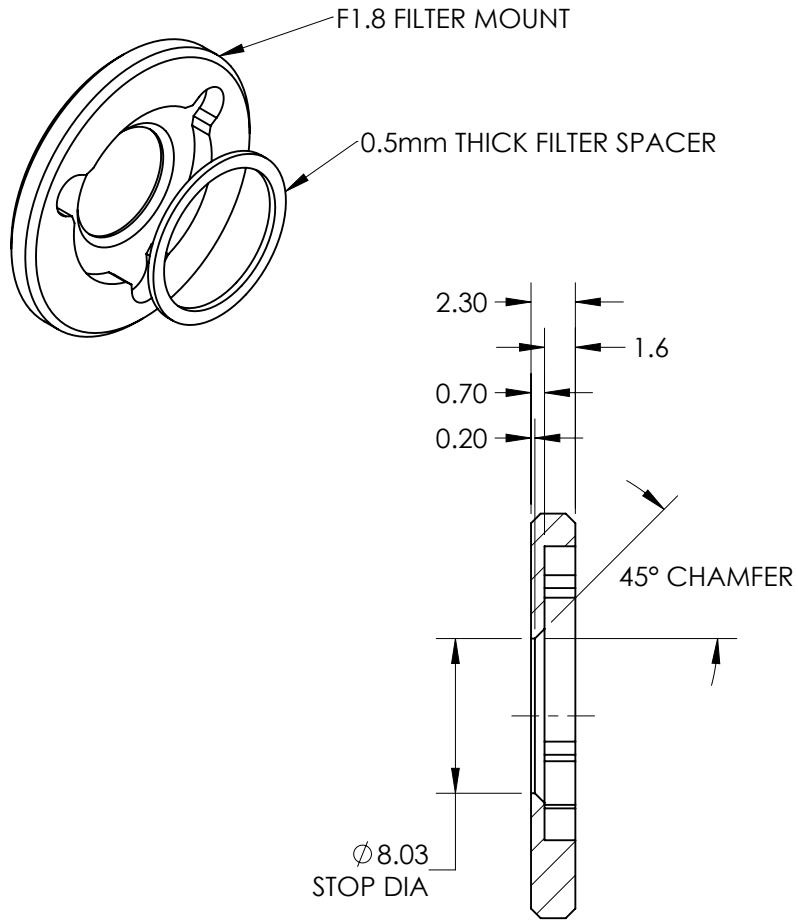


FOR INFORMATION ONLY:
DO NOT MANUFACTURE PARTS TO THIS DRAWING

SPECIFICATIONS SUBJECT TO CHANGE WITHOUT NOTICE
 DIMENSIONS ARE FOR REFERENCE ONLY
 DIMENSIONS ARE IN mm [INCHES]



EO® Edmund Optics®

TITLE	F1.8 FILTER MOUNT ASSEMBLY FOR 25mm Cx LENS	
DWG NO	33608	SHEET 1 OF 1