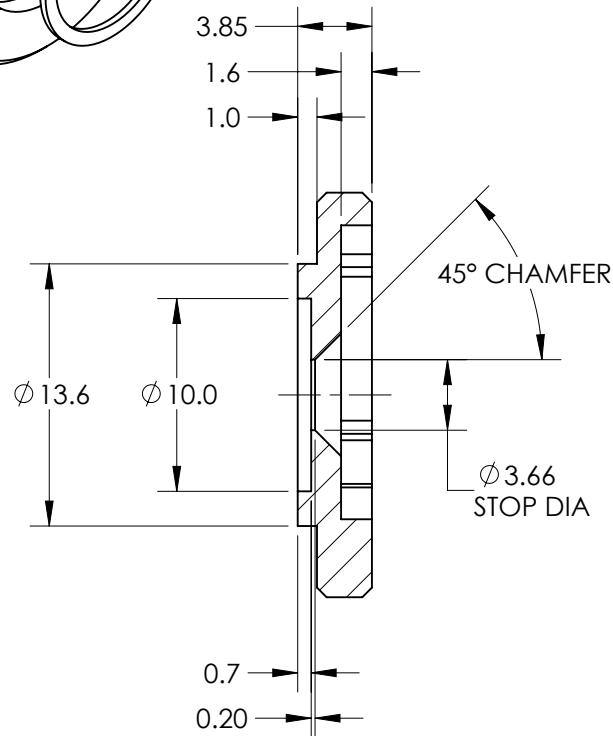
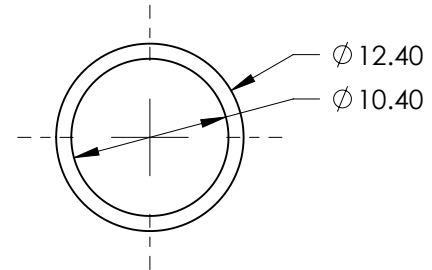
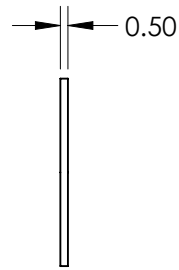
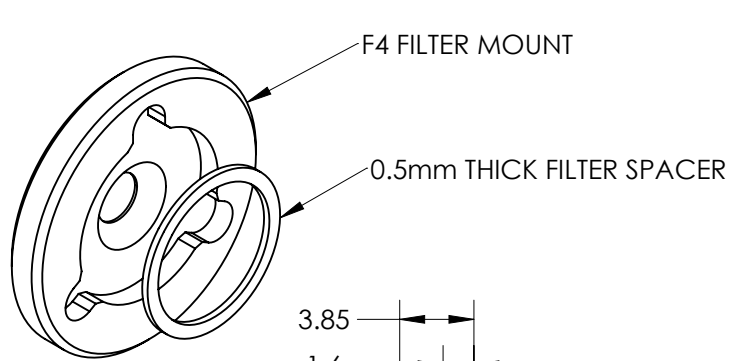
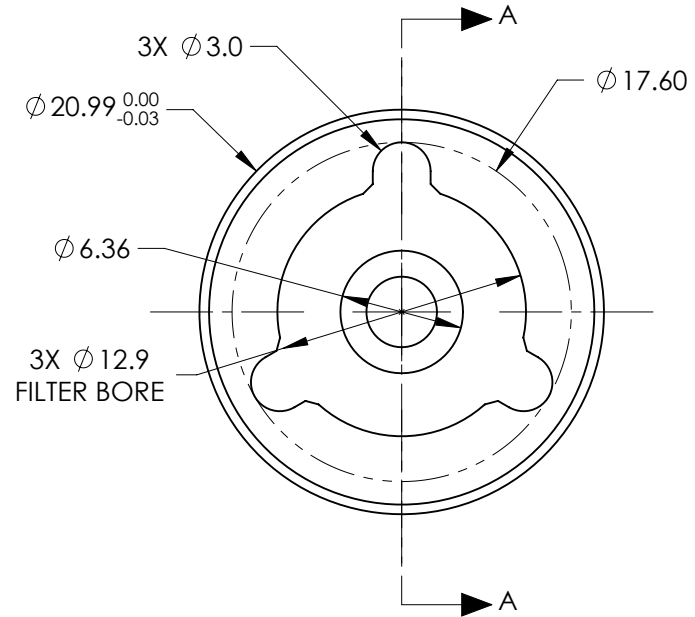


**FOR INFORMATION ONLY:  
DO NOT MANUFACTURE PARTS TO THIS DRAWING**

SPECIFICATIONS SUBJECT TO CHANGE WITHOUT NOTICE  
DIMENSIONS ARE FOR REFERENCE ONLY  
DIMENSIONS ARE IN mm [INCHES]



SECTION A-A



**EO**® Edmund Optics®

TITLE F4.0 FILTER MOUNT ASSEMBLY FOR 16mm Cx LENS

DWG NO 33603

SHEET  
1 OF 1