

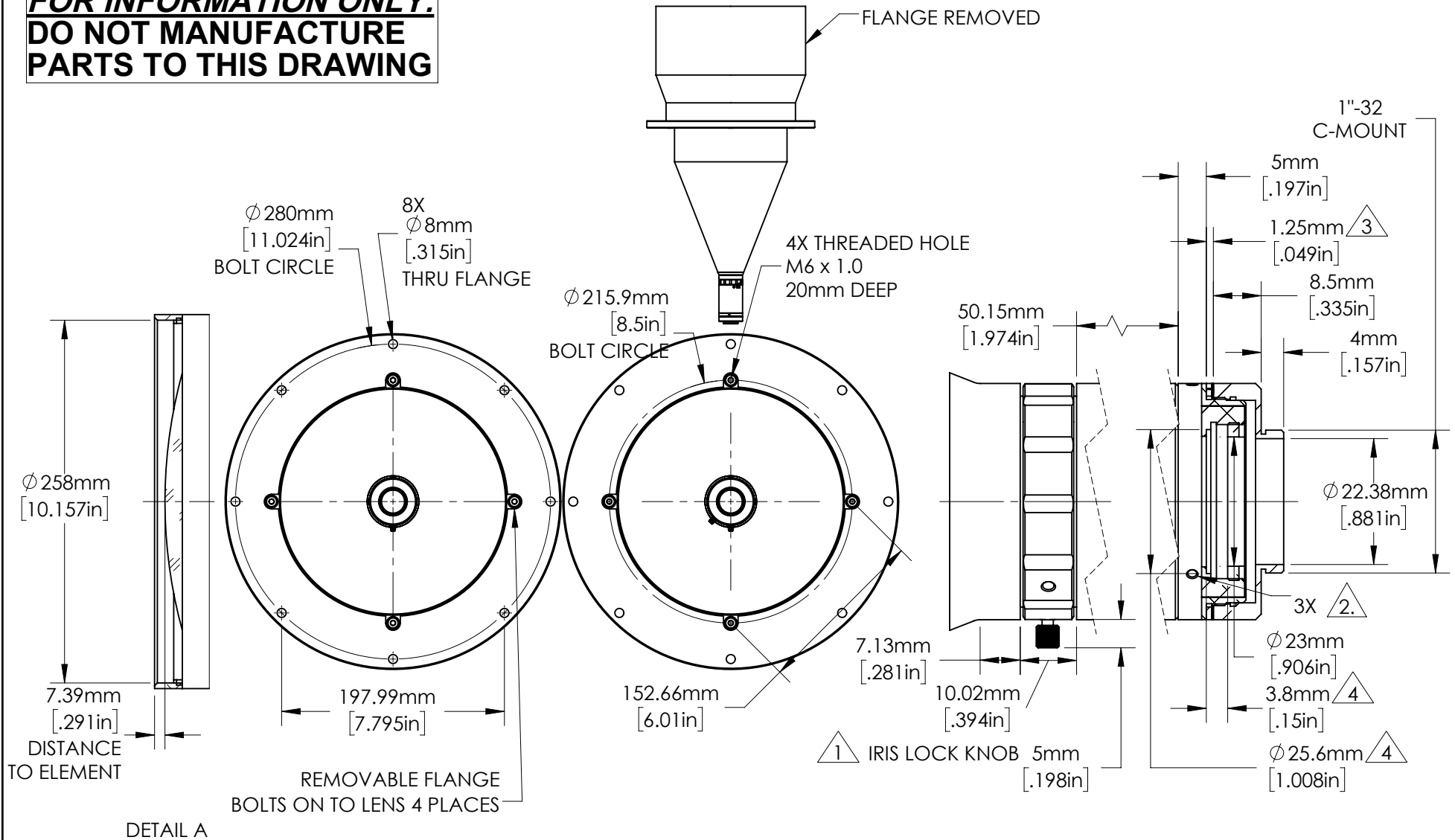
FOR INFORMATION ONLY:
DO NOT MANUFACTURE
PARTS TO THIS DRAWING

SPECIFICATIONS SUBJECT TO CHANGE
 WITHOUT NOTICE.
 DIMENSIONS ARE FOR REFERENCE ONLY.
 FOR DETAILED SPECIFICATIONS,
 PLEASE REFER TO THE SPEC SHEET.

EO® Edmund Optics®

TITLE	0.093X, 22.5mm C-Mount TitanTL™ Telecentric Lens		
DWG NO	34018		SHEET 1 OF 2

**FOR INFORMATION ONLY:
DO NOT MANUFACTURE
PARTS TO THIS DRAWING**



NOTES:

- $\triangle 1$. INCLUDES OPTIONAL RECESSED SET SCREW.
- $\triangle 2$. M2 SET SCREWS ALLOW LENS TO ROTATE ABOUT C-MOUNT.
- $\triangle 3$. FACTORY INSTALLED SPACER(S).
- $\triangle 4$. SPACE FOR A SEPARATELY PURCHASED FILTER.

SPECIFICATIONS SUBJECT TO CHANGE WITHOUT NOTICE
DIMENSIONS ARE FOR REFERENCE ONLY

Edmund Optics®

TITLE	0.093X, 22.5mm C-Mount TitanTL™ Telecentric Lens	
DWG NO	34018	SHEET 2 OF 2

