

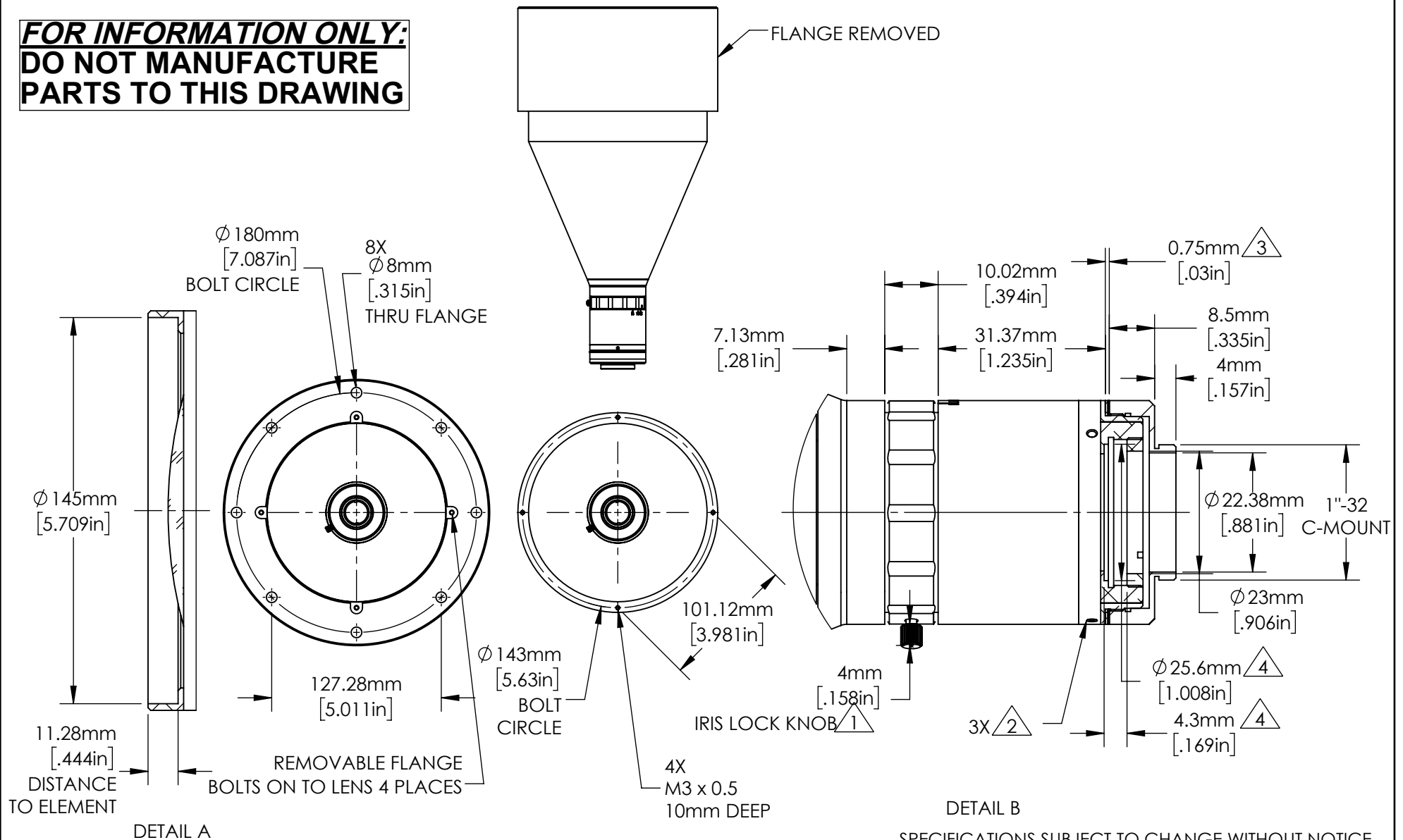
**FOR INFORMATION ONLY:**  
**DO NOT MANUFACTURE**  
**PARTS TO THIS DRAWING**

SPECIFICATIONS SUBJECT TO CHANGE  
 WITHOUT NOTICE.  
 DIMENSIONS ARE FOR REFERENCE ONLY.  
 FOR DETAILED SPECIFICATIONS,  
 PLEASE REFER TO THE SPEC SHEET.

**EO**® Edmund Optics®

TITLE	0.136X, 1" C-Mount TitanTL™ Telecentric Lens		
DWG NO	34011		SHEET 1 OF 2

**FOR INFORMATION ONLY:  
DO NOT MANUFACTURE  
PARTS TO THIS DRAWING**



NOTES:

- 1. INCLUDES OPTIONAL RECESSED SET SCREW.
- 2. M2 SET SCREWS ALLOW LENS TO ROTATE ABOUT C-MOUNT.
- 3. FACTORY INSTALLED SPACER(S).
- 4. SPACE FOR A SEPARATELY PURCHASED FILTER.

SPECIFICATIONS SUBJECT TO CHANGE WITHOUT NOTICE  
DIMENSIONS ARE FOR REFERENCE ONLY

 <b>Edmund Optics®</b>		
TITLE	0.136X, 1" C-Mount TitanTL™ Telecentric Lens	
DWG NO	34011	SHEET 2 OF 2

