

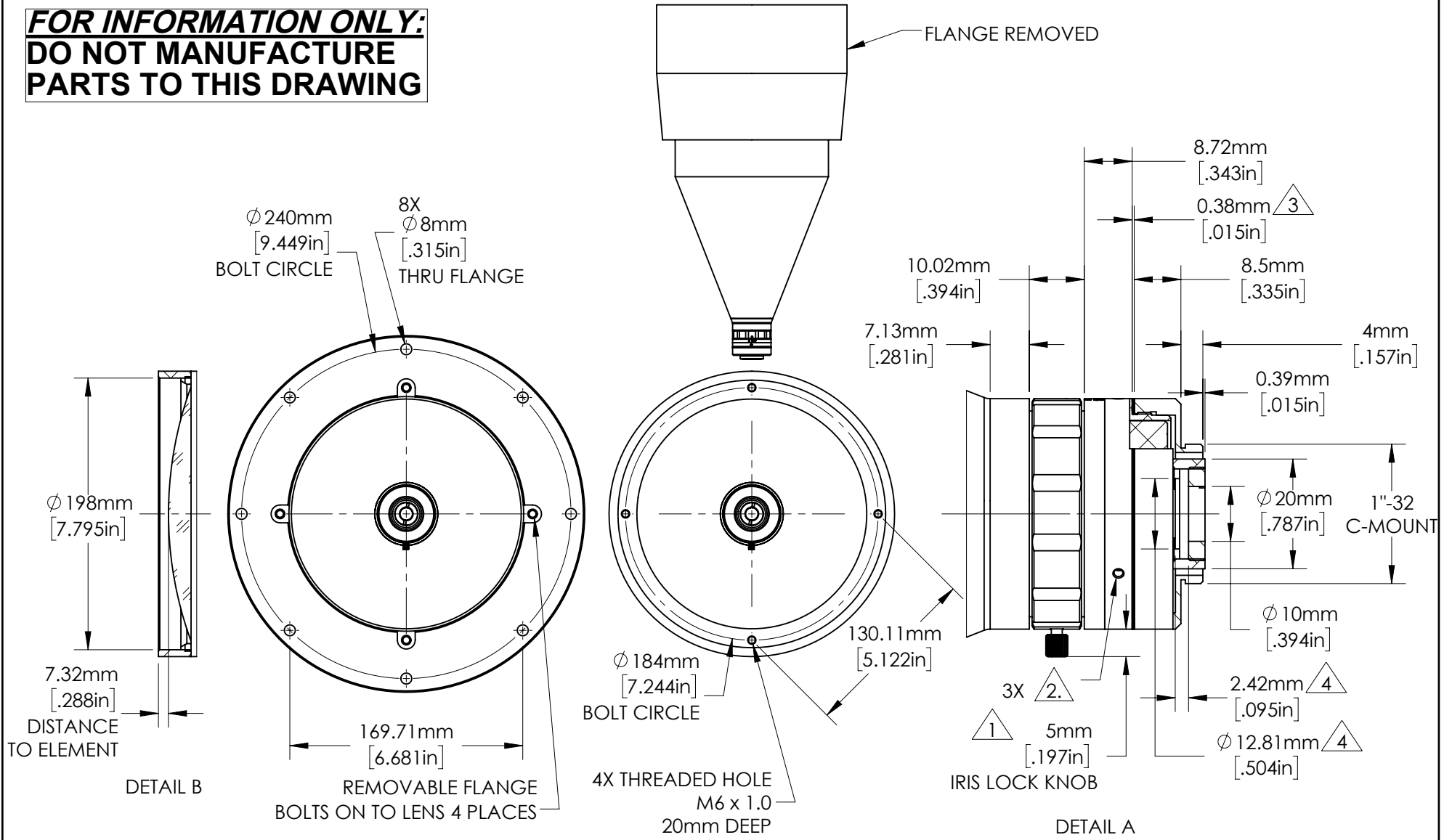
FOR INFORMATION ONLY:
DO NOT MANUFACTURE
PARTS TO THIS DRAWING

SPECIFICATIONS SUBJECT TO CHANGE
 WITHOUT NOTICE.
 DIMENSIONS ARE FOR REFERENCE ONLY.
 FOR DETAILED SPECIFICATIONS,
 PLEASE REFER TO THE SPEC SHEET.

EO® Edmund Optics®

TITLE	0.050X, 1/1.8" C-Mount TitanTL™ Telecentric Lens	
DWG NO	34002	SHEET 1 OF 2

**FOR INFORMATION ONLY:
DO NOT MANUFACTURE
PARTS TO THIS DRAWING**



NOTES:

- 1. INCLUDES OPTIONAL RECESSED SET SCREW.
- 2. M2 SET SCREWS ALLOW LENS TO ROTATE ABOUT C-MOUNT.
- 3. FACTORY INSTALLED SPACER(S).
- 4. SPACE FOR A SEPARATELY PURCHASED FILTER.

SPECIFICATIONS SUBJECT TO CHANGE WITHOUT NOTICE
DIMENSIONS ARE FOR REFERENCE ONLY

 Edmund Optics®	
TITLE	0.050X, 1/1.8" C-Mount TitanTL™ Telecentric Lens
DWG NO	34002
	SHEET 2 OF 2

