

**FOR INFORMATION ONLY:  
DO NOT MANUFACTURE  
PARTS TO THIS DRAWING**

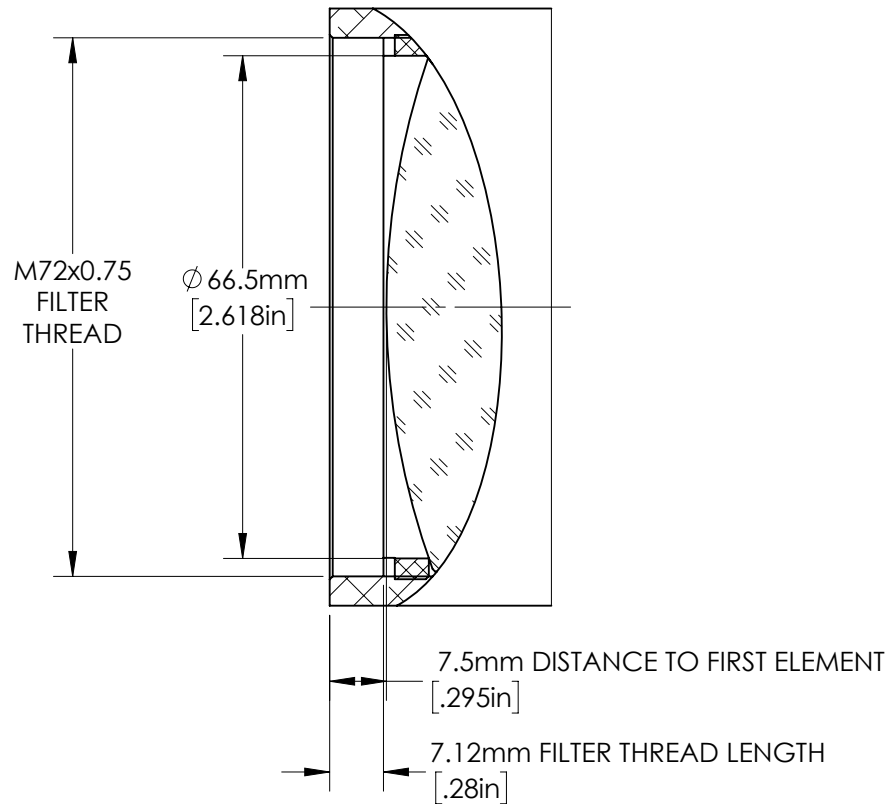
SPECIFICATIONS SUBJECT TO CHANGE WITHOUT NOTICE. DIMENSIONS ARE FOR REFERENCE ONLY. FOR DETAILED SPECIFICATIONS, PLEASE REFER TO THE SPEC SHEET.



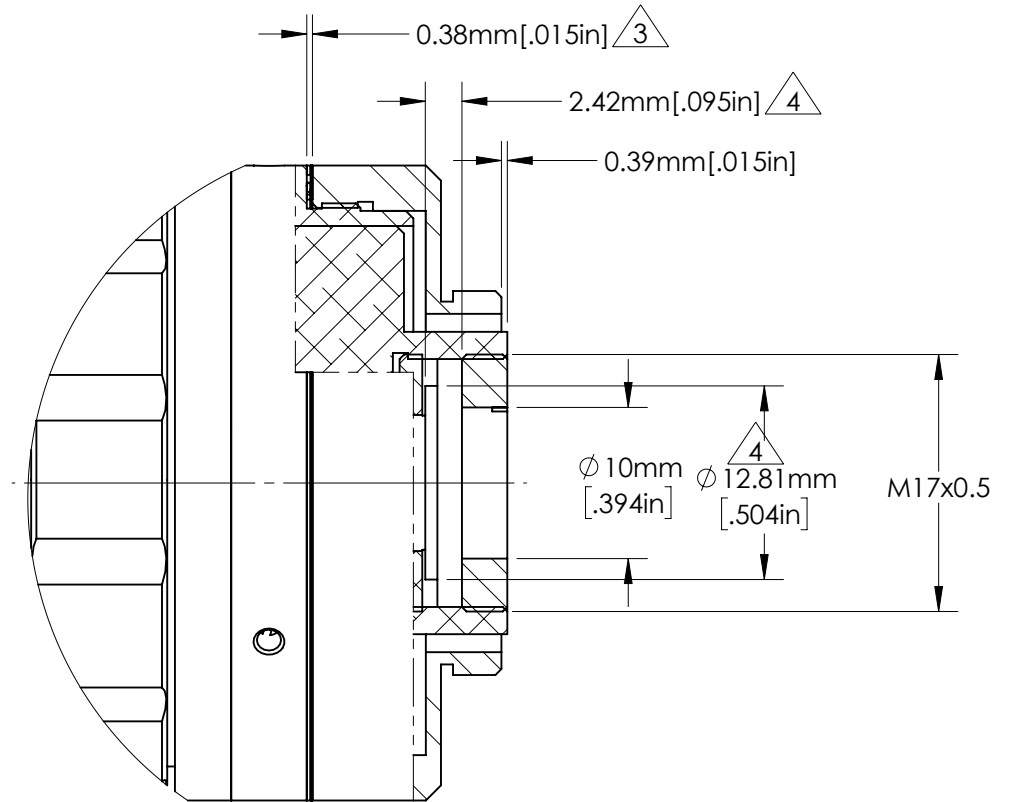
**Edmund Optics®**

TITLE	0.151X, 1/1.8" C-Mount TitanTL™ Telecentric Lens	
DWG NO	34000	SHEET 1 OF 2

**FOR INFORMATION ONLY:**  
**DO NOT MANUFACTURE**  
**PARTS TO THIS DRAWING**



DETAIL B



DETAIL A  
 FILTER MOUNTING DETAILS

NOTES:

- 1. INCLUDES OPTIONAL RECESSED SET SCREW.
- 2. M2 SET SCREWS ALLOW LENS TO ROTATE ABOUT C-MOUNT.
- 3. FACTORY INSTALLED SPACER(S).
- 4. SPACE FOR A SEPARATELY PURCHASED FILTER.

SPECIFICATIONS SUBJECT TO CHANGE WITHOUT NOTICE  
 DIMENSIONS ARE FOR REFERENCE ONLY

**EO**® **Edmund Optics**®

TITLE	0.151X, 1/1.8" C-Mount TitanTL™ Telecentric Lens	
DWG NO	34000	SHEET 2 OF 2

