

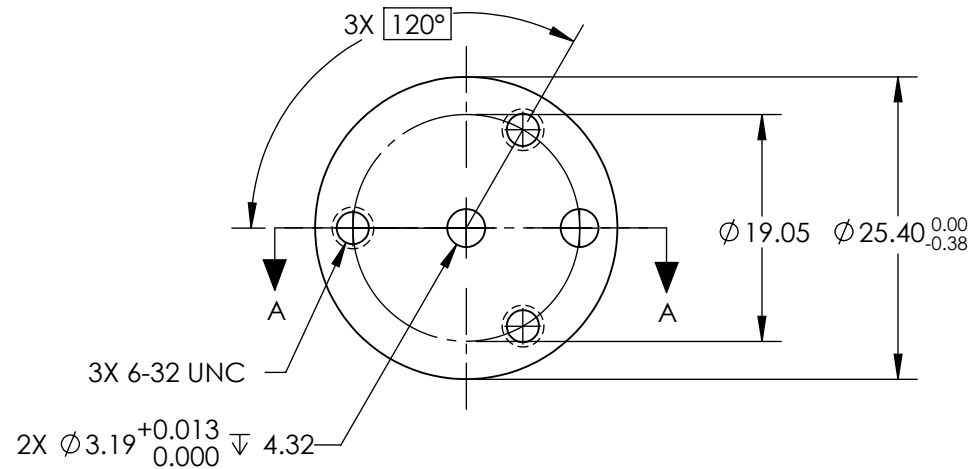
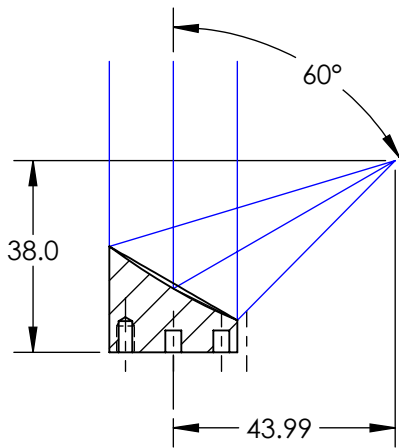
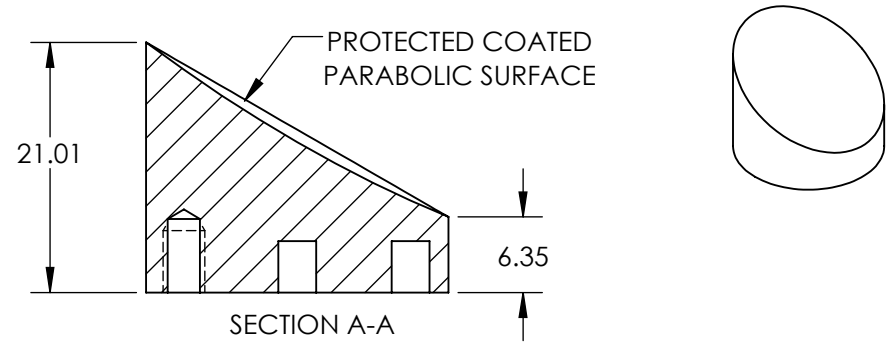
NOTES:

1. SUBSTRATE MATERIAL:
ALUMINUM
2. FINISH (EXCEPT SURFACE S1):
BLACK ANODIZED
3. COATING (APPLY ACROSS CLEAR APERTURE)
S1: PROTECTED GOLD
R(AVG) >96% @ 700 - 2000nm
R(AVG) >96% @ 2000 - 10000nm

SURFACE ROUGHNESS : <175 Å RMS

4. FOCAL LENGTH TOLERANCE: ±1%
5. ROHS COMPLIANT

FOR INFORMATION ONLY:
DO NOT MANUFACTURE
PARTS TO THIS DRAWING



SPECIFICATIONS SUBJECT TO CHANGE WITHOUT NOTICE
DIMENSIONS ARE FOR REFERENCE ONLY

| | |
|--|----------------------|
| REV. A | S1 |
| SHAPE | PARABOLIC |
| REFLECTIVE WAVEFRONT DISTORTION AT 632.8nm (RMS) | $\lambda/4$ |
| SURFACE FIGURE AT 632.8nm (RMS) | $\lambda/8$ |
| CLEAR APERTURE | 90% |
| BEVEL | PROTECTIVE AS NEEDED |

EO® Edmund Optics®

| | | | |
|------------------------|-------|---|--------------|
| THIRD ANGLE PROJECTION | TITLE | Ø25.4 X 50.8mm EFL 60° OAP PROTECTED GOLDR 175Å | |
| ALL DIMS IN | mm | DWG NO | 47094 |
| | | | SHEET 1 OF 1 |