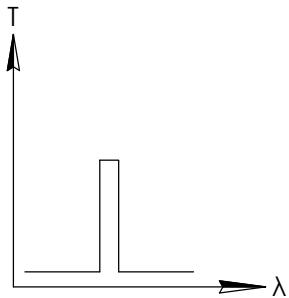
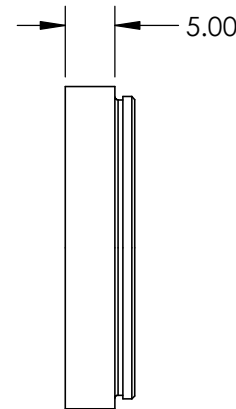
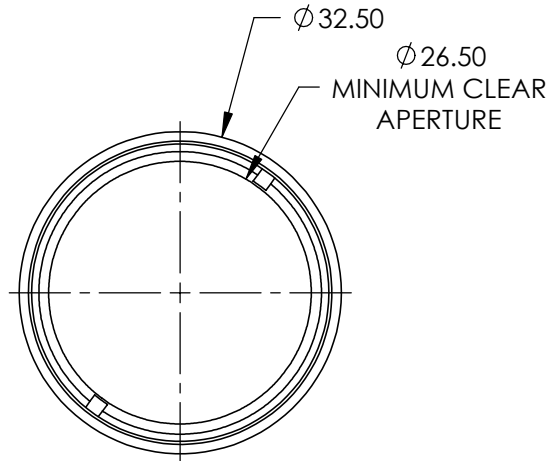
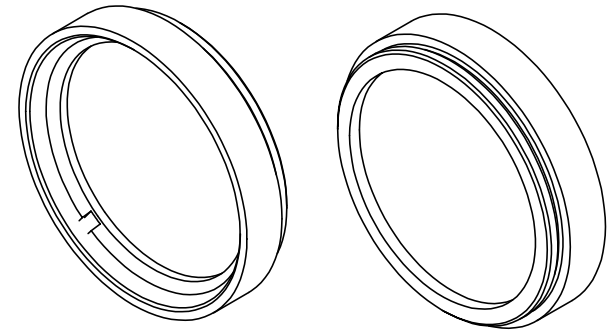


**FOR INFORMATION ONLY:
DO NOT MANUFACTURE
PARTS TO THIS DRAWING**



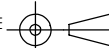
IMAGING FILTER

REV. A	VALUE
CENTER WAVELENGTH (CWL)	660 ± 2nm
FULL WIDTH HALF MAX (FWHM)	66 ± 2nm
MINIMUM TRANSMISSION	94 AVG
BLOCKING	200 - 1120
SURFACE QUALITY	80-50
CONSTRUCTION	MOUNTED IN BLACK ANODIZED ALUMINUM RING
COATING TYPE	HARD COATED
DURABILITY	MIL-C-48497A, SECT. 3.4.1
ENVIRONMENTAL	MIL-STD-801F, SECT. 507.4

SPECIFICATIONS SUBJECT TO CHANGE WITHOUT NOTICE
DIMENSIONS ARE FOR REFERENCE ONLY

EO® Edmund Optics®

THIRD ANGLE
PROJECTION



TITLE

DARK RED M30.5 X 0.50 IMAGING FILTER

ALL DIMS IN

mm

DWG NO

89825

SHEET
1 OF 1