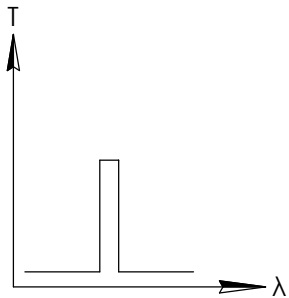
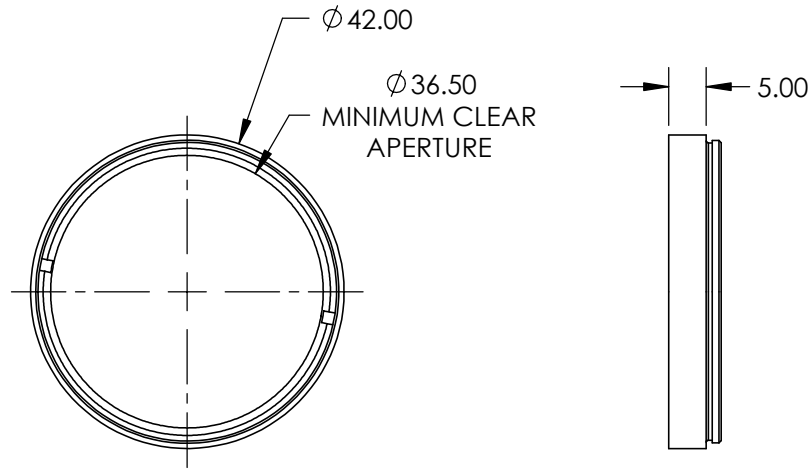
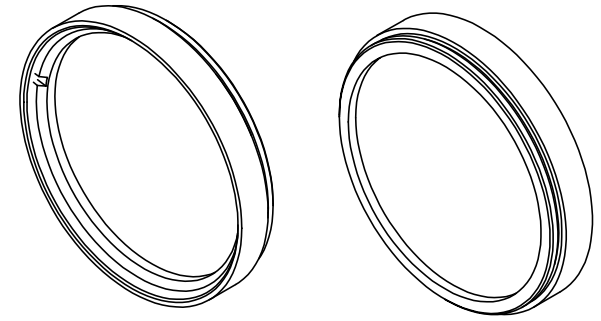


**FOR INFORMATION ONLY:
DO NOT MANUFACTURE
PARTS TO THIS DRAWING**



IMAGING FILTER

| REV. A | VALUE |
|----------------------------|---|
| CENTER WAVELENGTH (CWL) | 518 ± 2nm |
| FULL WIDTH HALF MAX (FWHM) | 95 ± 2nm |
| MINIMUM TRANSMISSION | 89 AVG |
| BLOCKING | 200 - 1200 |
| SURFACE QUALITY | 80-50 |
| CONSTRUCTION | MOUNTED IN BLACK ANODIZED ALUMINUM RING |
| COATING TYPE | HARD COATED |
| DURABILITY | MIL-C-48497A, SECT. 3.4.1 |
| ENVIRONMENTAL | MIL-STD-801F, SECT. 507.4 |

SPECIFICATIONS SUBJECT TO CHANGE WITHOUT NOTICE
DIMENSIONS ARE FOR REFERENCE ONLY



| | | | | |
|------------------------|----|--------|----------------------------------|--------------|
| THIRD ANGLE PROJECTION | | TITLE | CYAN M40.5 X 0.50 IMAGING FILTER | |
| ALL DIMS IN | mm | DWG NO | 89778 | SHEET 1 OF 1 |