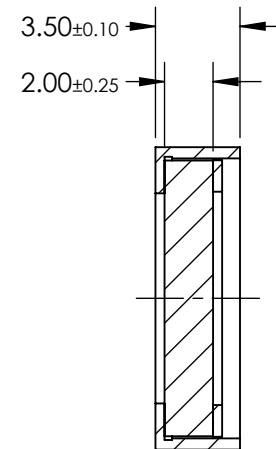
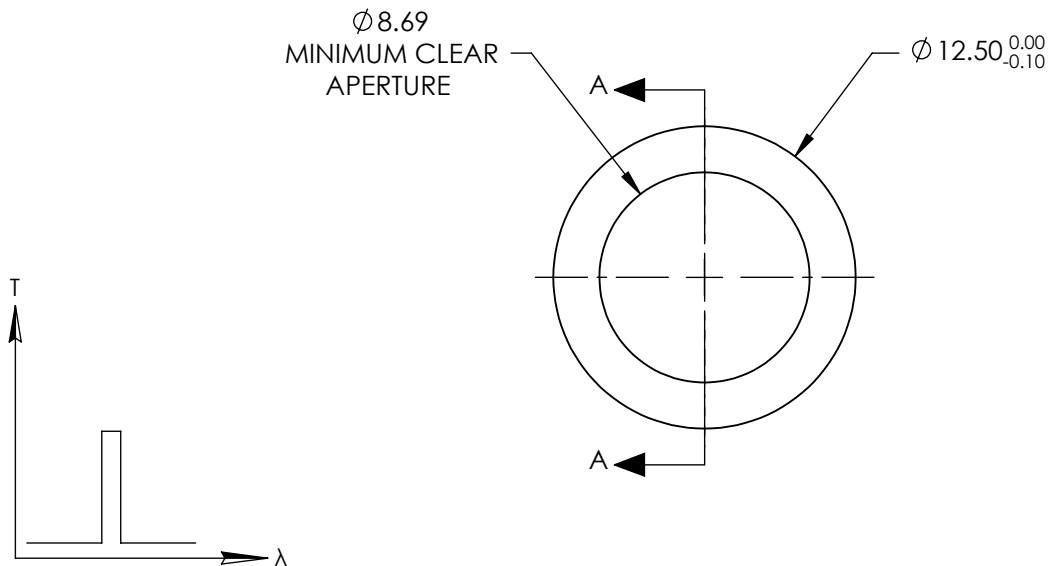


NOTES:

1. SUBSTRATE:  
FUSED SILICA MOUNTED IN BLACK ANODIZED ALUMINUM RING
2. TRANSMITTED WAVEFRONT ERROR:  $\lambda/4$
3. RoHS: COMPLIANT

**FOR INFORMATION ONLY:  
DO NOT MANUFACTURE  
PARTS TO THIS DRAWING**



SECTION A-A

BANDPASS FILTER

|                                 | VALUE                      |
|---------------------------------|----------------------------|
| CENTER WAVELENGTH (CWL) (nm)    | 549 ± 2                    |
| MINIMUM BANDPATH (nm)           | 15                         |
| FULL WIDTH HALF MAX (FWHM) (nm) | 21                         |
| MINIMUM TRANSMISSION (%)        | >93                        |
| OD6 BLOCKING RANGE (nm)         | 300 - 530 & 568 - 850      |
| SURFACE QUALITY                 | 60-40                      |
| COATING TYPE                    | HARD COATED                |
| DURABILITY                      | MIL-C-48497A, SECT. 3.4.1  |
| ENVIRONMENTAL                   | MIL-STD-801F, SECT. 507 .4 |

SPECIFICATIONS SUBJECT TO CHANGE WITHOUT NOTICE  
DIMENSIONS ARE FOR REFERENCE ONLY



THIRD ANGLE PROJECTION

ALL DIMS IN

mm

TITLE

OD6, Ø12.5mm, 549nm x 15nm, BP  
FLUORESCENCE FILTER

DWG NO

87737

SHEET  
1 OF 1