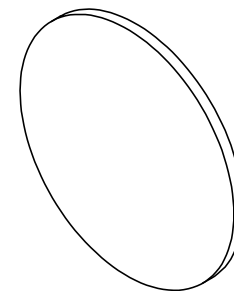


NOTES:

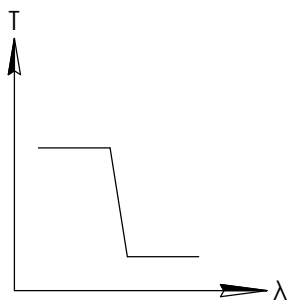
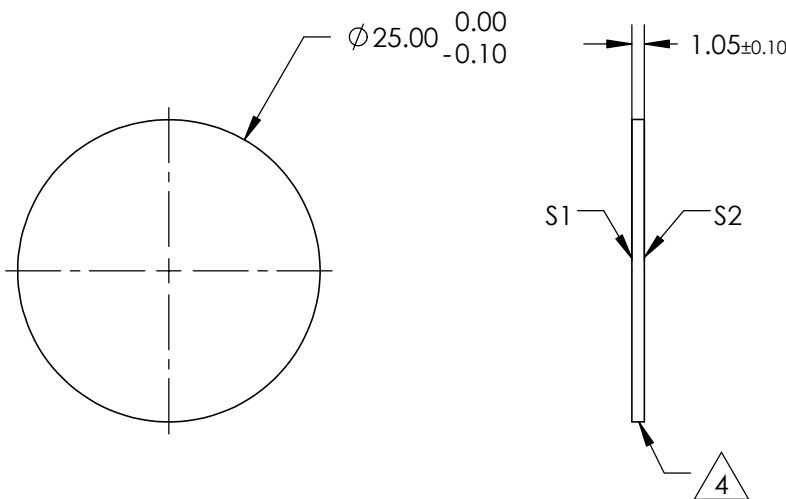
**FOR INFORMATION ONLY:
DO NOT MANUFACTURE
PARTS TO THIS DRAWING**

1. SUBSTRATE
 2. SURFACE S2 TO BE PARALLEL WITH SURFACE S1 TO WITHIN 5 arcsec
 3. COATING (APPLY ACROSS COATING APERTURE)
ENVIRONMENTAL DURABILITY:
PHYSICAL DURABILITY:
PERFORMANCE SPECIFICATIONS:
T(avg): >85% FROM 572 - 1056nm FOR RANDOM POLARIZATION @ 45° AOI
T(abs): >80% FROM 572 - 1056nm FOR ALL POLARIZATIONS @ 45° AOI
R(avg): >97% FROM 1155 - 1430nm FOR RANDOM POLARIZATION @ 45° AOI
R(abs): >95% FROM 1155 - 1430nm FOR ALL POLARIZATIONS @ 45° AOI
T(abs): = 50% 1100nm @ 45° AOI
- S1: HARD COATED
S2: SINGLE LAYER MgF2



4 FINE GRIND SURFACE

5. POWER, IRREGULARITY, AND SURFACE QUALITY SPECIFICATIONS
APPLY ACROSS CLEAR APERTURE
6. TRANSMITTED WAVEFRONT DISTORTION RMS@ 632.8nm $\leq \frac{1}{4} \lambda$
7. ROHS COMPLIANT



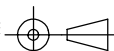
SHORTPASS FILTER

SPECIFICATIONS SUBJECT TO CHANGE WITHOUT NOTICE
DIMENSIONS ARE FOR REFERENCE ONLY

	S1	S2
SHAPE	PLANO	PLANO
SURFACE QUALITY	40-20	40-20
CLEAR APERTURE	Ø22.00	Ø22.00
COATING APERTURE	Ø24.00	Ø24.00
BEVEL	PROTECTIVE AS NEEDED	PROTECTIVE AS NEEDED

EO® Edmund Optics®

THIRD ANGLE
PROJECTION



TITLE

Ø25mm, 1100nm DICHROIC SHORTPASS
FILTER

ALL DIMS IN

mm

DWG NO

86691

SHEET
1 OF 1