

NOTES:

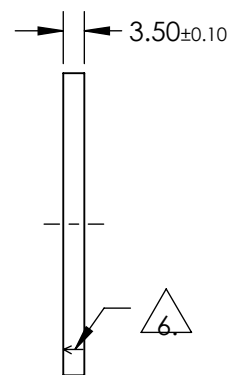
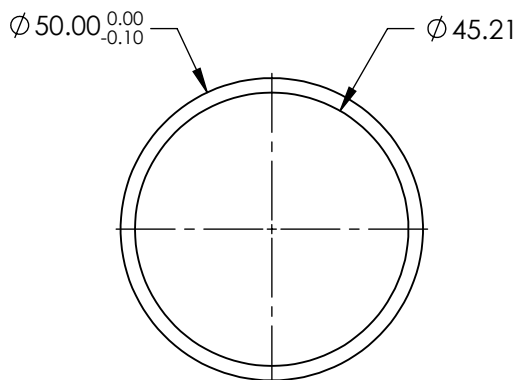
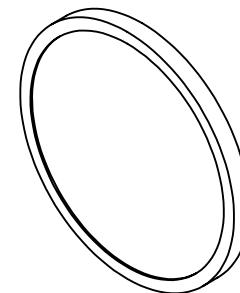
1. CONSTRUCTION: MOUNTED IN BLACK ANODIZED RING
2. COATING (APPLY ACROSS COATING APERTURE)

DURABILITY: MIL-C-48497A
 PERFORMANCE SPECIFICATIONS:
 CWL: 785nm
 FWHM: 39nm

R (ABS) > 99.5% @ 785±7.9nm
 T (ABS) < 0.001% @ 785±7.9nm
 T (AVG) ≥ 80% FROM 350 - 400nm
 T (AVG) ≥ 90% FROM 400 - 1200nm

3. SURFACE QUALITY: 60-40
4. TRANSMITTED WAVEFRONT DISTORTION RMS @632.8nm: <math><1\lambda</math>
5. ROHS COMPLIANT

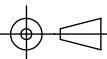
 ARROW ON PART POINTS TOWARDS COATED SURFACE



**FOR INFORMATION ONLY:
 DO NOT MANUFACTURE
 PARTS TO THIS DRAWING**

SPECIFICATIONS SUBJECT TO CHANGE WITHOUT NOTICE
 DIMENSIONS ARE FOR REFERENCE ONLY



| | | | | |
|--|----|--------|--|--------------|
| THIRD ANGLE PROJECTION  | | TITLE | OD6, Ø50mm, 785nm, BLOCKING NOTCH FILTER | |
| ALL DIMS IN | mm | DWG NO | 86132 | SHEET 1 OF 1 |