

NOTES:

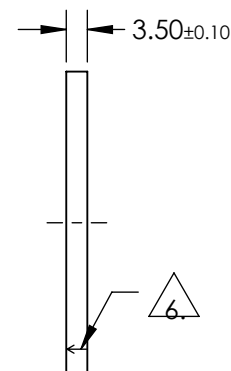
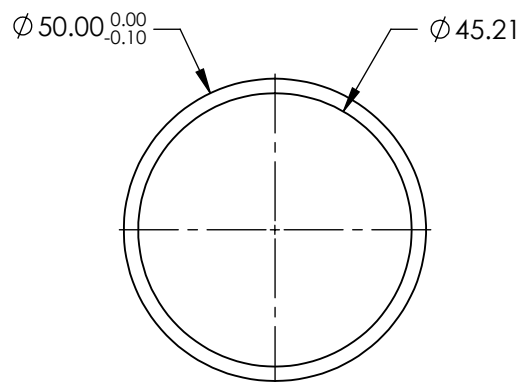
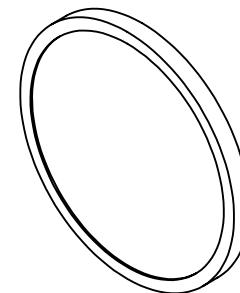
1. CONSTRUCTION: MOUNTED IN BLACK ANODIZED RING
2. COATING (APPLY ACROSS COATING APERTURE)

DURABILITY: MIL-C-48497A
 PERFORMANCE SPECIFICATIONS:
 CWL: 632.8nm
 FWHM: 25nm

R (ABS) > 99.5% @ 632.8±6.3nm
 T (ABS) < 0.001% @ 632.8±6.3nm
 T (AVG) ≥ 80% FROM 350 - 400nm
 T (AVG) ≥ 90% FROM 400 - 1200nm

3. SURFACE QUALITY: 60-40
4. TRANSMITTED WAVEFRONT DISTORTION RMS @632.8nm: 1λ
5. ROHS COMPLIANT

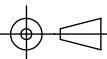
 ARROW ON PART POINTS TOWARDS COATED SURFACE



**FOR INFORMATION ONLY:
 DO NOT MANUFACTURE
 PARTS TO THIS DRAWING**

SPECIFICATIONS SUBJECT TO CHANGE WITHOUT NOTICE
 DIMENSIONS ARE FOR REFERENCE ONLY

 **Edmund Optics®**

THIRD ANGLE PROJECTION 		TITLE	OD6, Ø50mm, 632.8nm, BLOCKING NOTCH FILTER	
ALL DIMS IN	mm	DWG NO	86131	SHEET 1 OF 1