

NOTES:

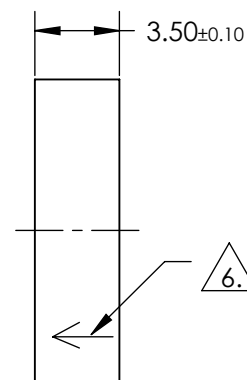
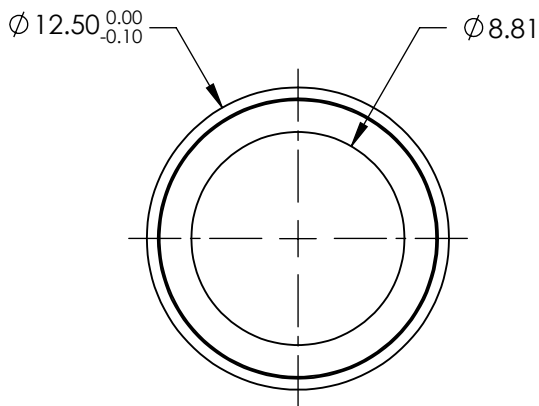
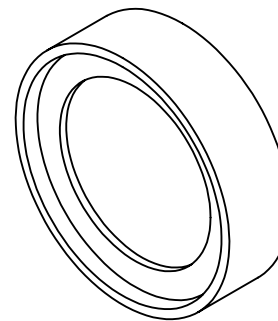
1. CONSTRUCTION: MOUNTED IN BLACK ANODIZED RING
2. COATING (APPLY ACROSS COATING APERTURE)

DURABILITY: MIL-C-48497A
 PERFORMANCE SPECIFICATIONS:
 CWL: 405nm
 FWHM: 9nm

R (ABS) > 99.5% @ 405±4.1nm
 T (ABS) < 0.001% @ 405±4.1nm
 T (AVG) ≥ 80% FROM 350 - 380nm
 T (AVG) ≥ 90% FROM 415 - 1200nm

3. SURFACE QUALITY: 60-40
4. TRANSMITTED WAVEFRONT DISTORTION RMS @632.8nm: <1λ
5. ROHS COMPLIANT

△ 6. ARROW ON PART POINTS TOWARDS COATED SURFACE



**FOR INFORMATION ONLY:
 DO NOT MANUFACTURE
 PARTS TO THIS DRAWING**

SPECIFICATIONS SUBJECT TO CHANGE WITHOUT NOTICE
 DIMENSIONS ARE FOR REFERENCE ONLY



THIRD ANGLE PROJECTION		TITLE	OD6, Ø12.5mm, 405nm, BLOCKING NOTCH FILTER	
ALL DIMS IN	mm	DWG NO	86119	SHEET 1 OF 1