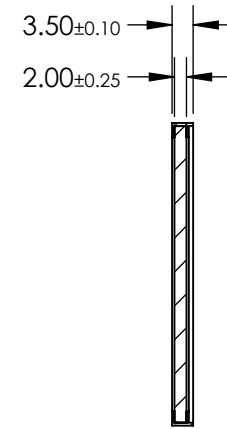
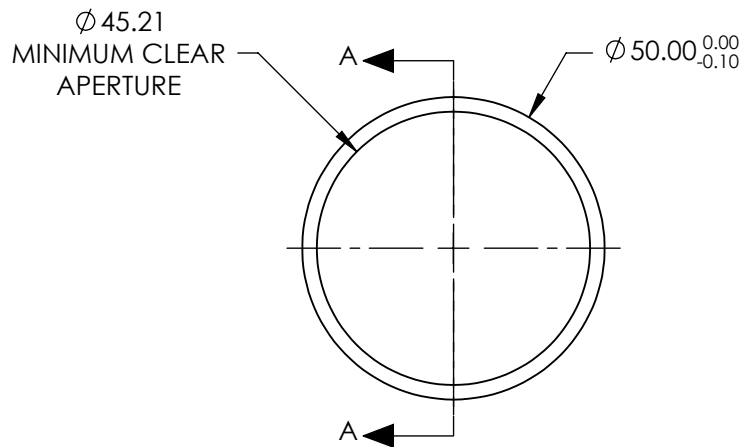


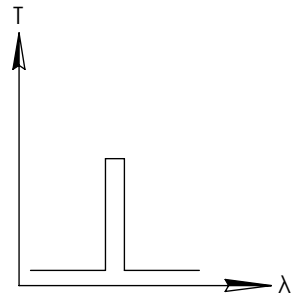
NOTES:

1. SUBSTRATE:
FUSED SILICA MOUNTED IN BLACK ANODIZED ALUMINUM RING
2. TRANSMITTED WAVEFRONT ERROR: $\lambda/4$
3. RoHS: COMPLIANT

**FOR INFORMATION ONLY:
DO NOT MANUFACTURE
PARTS TO THIS DRAWING**



SECTION A-A



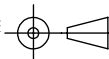
BANDPASS FILTER

	VALUE
CENTER WAVELENGTH (CWL) (nm)	$832 \pm 4\text{nm}$
MINIMUM BANDWIDTH (nm)	37
FULL WIDTH HALF MAX (FWHM) (nm)	45
MINIMUM TRANSMISSION (%)	>93
OD6 BLOCKING RANGE (nm)	550 - 794 & 878 - 1075
SURFACE QUALITY	60-40
COATING TYPE	HARD COATED
DURABILITY	MIL-C-48479A, SECT. 3.4.1
ENVIRONMENTAL	MIL-STD-801F, SECT. 507 .4

SPECIFICATIONS SUBJECT TO CHANGE WITHOUT NOTICE
DIMENSIONS ARE FOR REFERENCE ONLY

EO® Edmund Optics®

THIRD ANGLE PROJECTION



TITLE

OD6, $\varnothing 50\text{mm}$, 832nm x 37nm, BP
FLUORESCENCE FILTER

ALL DIMS IN

mm

DWG NO

84123

SHEET
1 OF 1