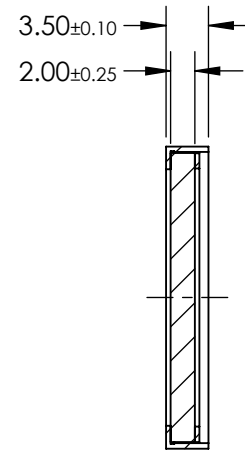
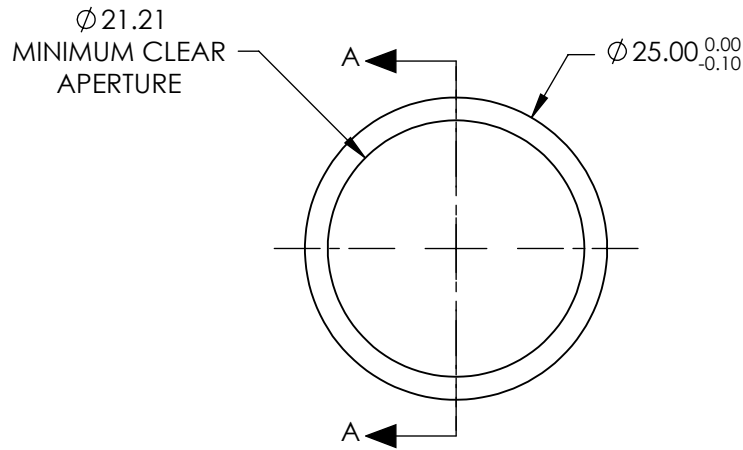


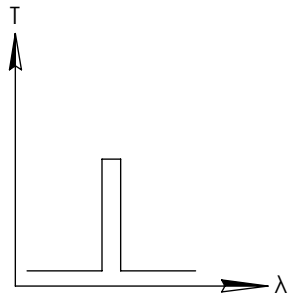
NOTES:

1. SUBSTRATE:
FUSED SILICA MOUNTED IN BLACK ANODIZED ALUMINUM RING
2. TRANSMITTED WAVEFRONT ERROR: $\lambda/4$
3. RoHS: COMPLIANT

**FOR INFORMATION ONLY:
DO NOT MANUFACTURE
PARTS TO THIS DRAWING**



SECTION A-A



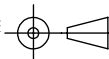
BANDPASS FILTER

	VALUE
CENTER WAVELENGTH (CWL) (nm)	377 ± 3
MINIMUM BANDWIDTH (nm)	50
FULL WIDTH HALF MAX (FWHM) (nm)	54
MINIMUM TRANSMISSION (%)	>85
OD6 BLOCKING RANGE (nm)	0
SURFACE QUALITY	60-40
COATING TYPE	HARD COATED
DURABILITY	MIL-C-48497A, SECT. 3.4.1
ENVIRONMENTAL	MIL-STD-801F, SECT. 507.4

SPECIFICATIONS SUBJECT TO CHANGE WITHOUT NOTICE
DIMENSIONS ARE FOR REFERENCE ONLY

EO® Edmund Optics®

THIRD ANGLE
PROJECTION



TITLE

OD6, $\varnothing 25$ mm, 377nm x 54nm, BP
FLUORESCENCE FILTER

ALL DIMS IN

mm

DWG NO

84093

SHEET
1 OF 1