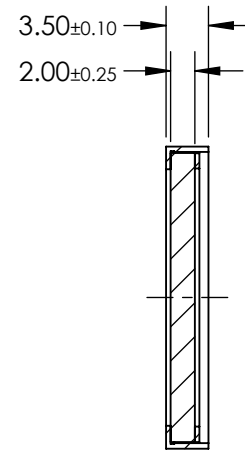
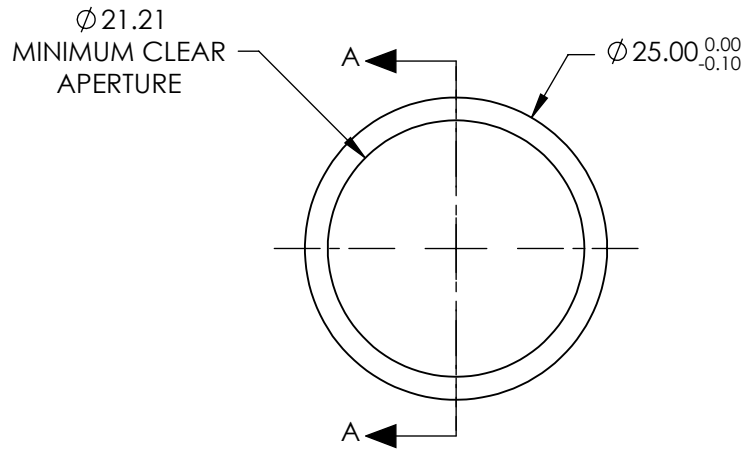


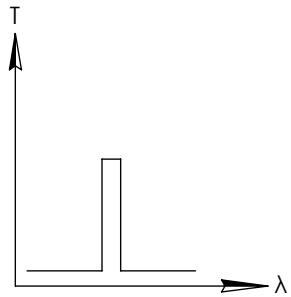
NOTES:

1. SUBSTRATE:
FUSED SILICA MOUNTED IN BLACK ANODIZED ALUMINUM RING
2. TRANSMITTED WAVEFRONT ERROR: $\lambda/4$
3. RoHS: COMPLIANT

**FOR INFORMATION ONLY:
DO NOT MANUFACTURE
PARTS TO THIS DRAWING**



SECTION A-A



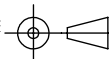
BANDPASS FILTER

| | VALUE |
|---------------------------------|---------------------------|
| CENTER WAVELENGTH (CWL) (nm) | 340 ± 3 |
| MINIMUM BANDWIDTH (nm) | 26 |
| FULL WIDTH HALF MAX (FWHM) (nm) | 29 |
| MINIMUM TRANSMISSION (%) | >75 |
| OD6 BLOCKING RANGE (nm) | 362 - 580 |
| SURFACE QUALITY | 60-40 |
| COATING TYPE | HARD COATED |
| DURABILITY | MIL-C-48497A, SECT. 3.4.1 |
| ENVIRONMENTAL | MIL-STD-801F, SECT. 507.4 |

SPECIFICATIONS SUBJECT TO CHANGE WITHOUT NOTICE
DIMENSIONS ARE FOR REFERENCE ONLY

EO® Edmund Optics®

THIRD ANGLE
PROJECTION



TITLE

OD6, $\phi 25$ mm, 340nm x 29nm, BP
FLUORESCENCE FILTER

ALL DIMS IN

mm

DWG NO

84092

SHEET
1 OF 1