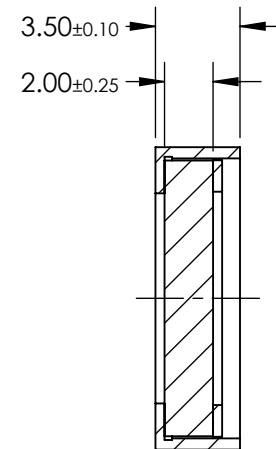
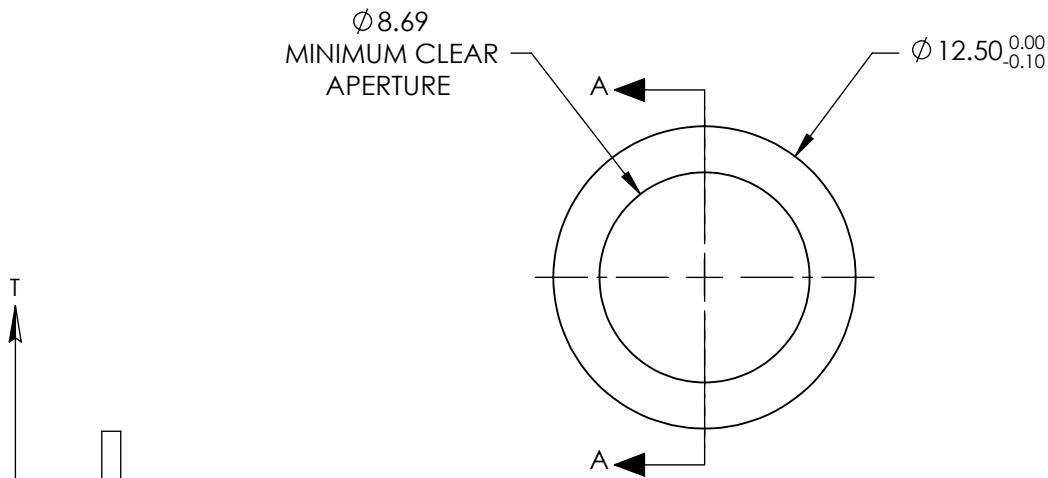


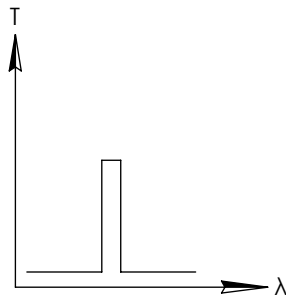
NOTES:

1. SUBSTRATE:  
FUSED SILICA MOUNTED IN BLACK ANODIZED ALUMINUM RING
2. TRANSMITTED WAVEFRONT ERROR:  $\lambda/4$
3. RoHS: COMPLIANT

**FOR INFORMATION ONLY:  
DO NOT MANUFACTURE  
PARTS TO THIS DRAWING**



SECTION A-A



BANDPASS FILTER

	VALUE
CENTER WAVELENGTH (CWL) (nm)	775 ± 4
MINIMUM BANDPATH (nm)	46
FULL WIDTH HALF MAX (FWHM) (nm)	54
MINIMUM TRANSMISSION (%)	>93
OD6 BLOCKING RANGE (nm)	250 - 350 550 - 737 & 837 - 975
SURFACE QUALITY	60-40
COATING TYPE	HARD COATED
DURABILITY	MIL-C-48497A, SECT. 3.4.1
ENVIRONMENTAL	MIL-STD-801F, SECT. 507 .4

SPECIFICATIONS SUBJECT TO CHANGE WITHOUT NOTICE  
DIMENSIONS ARE FOR REFERENCE ONLY

**Edmund Optics®**

THIRD ANGLE PROJECTION

TITLE OD6, Ø12.5mm, 775nm x 46nm, BP  
FLUORESCENCE FILTER

ALL DIMS IN

mm

DWG NO

84090

SHEET  
1 OF 1