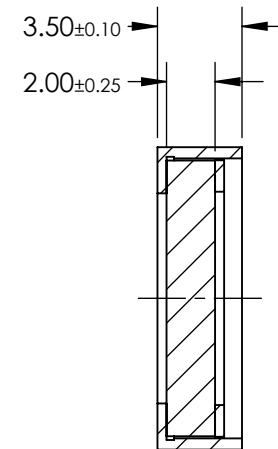
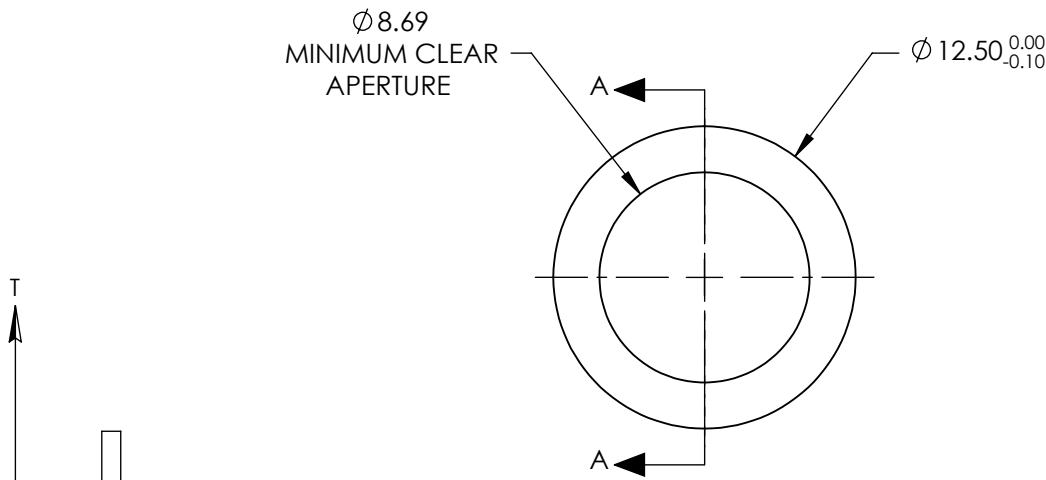


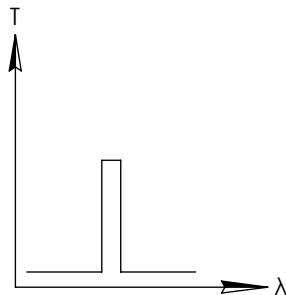
NOTES:

1. SUBSTRATE:  
FUSED SILICA MOUNTED IN BLACK ANODIZED ALUMINUM RING
2. TRANSMITTED WAVEFRONT ERROR:  $\lambda/4$
3. RoHS: COMPLIANT

**FOR INFORMATION ONLY:  
DO NOT MANUFACTURE  
PARTS TO THIS DRAWING**



SECTION A-A



BANDPASS FILTER

	VALUE
CENTER WAVELENGTH (CWL) (nm)	$340 \pm 3$
MINIMUM BANDPATH (nm)	26
FULL WIDTH HALF MAX (FWHM) (nm)	29
MINIMUM TRANSMISSION (%)	>75
OD6 BLOCKING RANGE (nm)	362 - 580
SURFACE QUALITY	60-40
COATING TYPE	HARD COATED
DURABILITY	MIL-C-48497A, SECT. 3.4.1
ENVIRONMENTAL	MIL-STD-801F, SECT. 507 .4

SPECIFICATIONS SUBJECT TO CHANGE WITHOUT NOTICE  
DIMENSIONS ARE FOR REFERENCE ONLY

**EO**® **Edmund Optics**®

THIRD ANGLE PROJECTION

TITLE OD6,  $\phi 12.5$ mm, 340nm x 26nm, BP FLUORESCENCE FILTER

ALL DIMS IN mm

DWG NO 84076

SHEET 1 OF 1