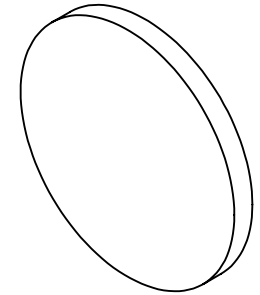


NOTES:

**FOR INFORMATION ONLY:  
DO NOT MANUFACTURE  
PARTS TO THIS DRAWING**

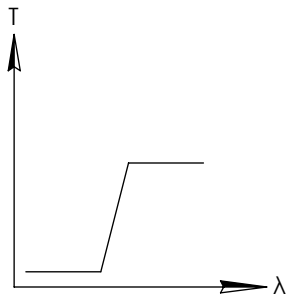
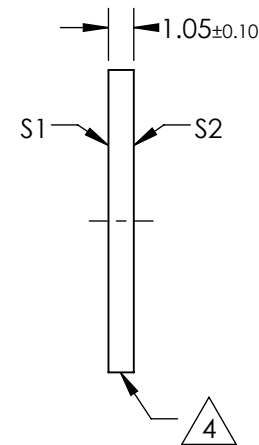
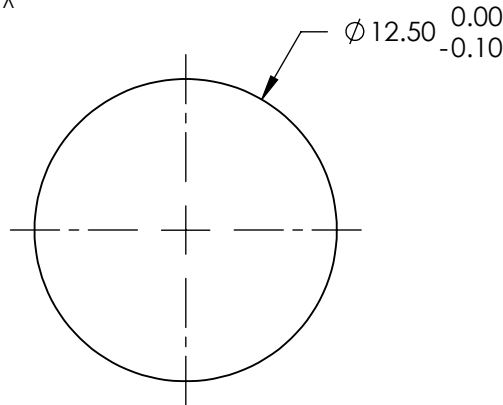


1. SUBSTRATE
2. SURFACE S2 TO BE PARALLEL WITH SURFACE S1 TO WITHIN 5 arcsec
3. COATING (APPLY ACROSS COATING APERTURE)  
ENVIRONMENTAL DURABILITY:  
PHYSICAL DURABILITY:  
PERFORMANCE SPECIFICATIONS:  
T(avg): >85% FROM 470 - 1600nm FOR RANDOM POLARIZATION @ 45° AOI  
T(abs): >80% FROM 470 - 1600nm FOR ALL POLARIZATIONS @ 45° AOI  
R(avg): >97% FROM 350 - 430nm FOR RANDOM POLARIZATION @ 45° AOI  
R(abs): >95% FROM 350 - 430nm FOR ALL POLARIZATIONS @ 45° AOI  
T(abs): = 50% 450nm @ 45° AOI

S1: HARD COATED  
S2: SINGLE LAYER MgF2

FINE GRIND SURFACE

5. POWER, IRREGULARITY, AND SURFACE QUALITY SPECIFICATIONS  
APPLY ACROSS CLEAR APERTURE
6. TRANSMITTED WAVEFRONT DISTORTION RMS@ 632.8nm @  $\frac{1}{4} \lambda$
7. ROHS COMPLIANT

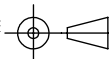


LONGPASS FILTER

SPECIFICATIONS SUBJECT TO CHANGE WITHOUT NOTICE  
DIMENSIONS ARE FOR REFERENCE ONLY

	S1	S2
SHAPE	PLANO	PLANO
SURFACE QUALITY	60-40	60-40
CLEAR APERTURE	Ø11.00	Ø11.00
COATING APERTURE	Ø11.00	Ø11.00
BEVEL	PROTECTIVE AS NEEDED	PROTECTIVE AS NEEDED

THIRD ANGLE  
PROJECTION



ALL DIMS IN

mm

**Edmund Optics®**

TITLE Ø12.5mm, 450nm DICHROIC LONGPASS FILTER

DWG NO

69865

SHEET  
1 OF 1