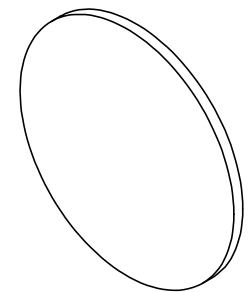


NOTES:

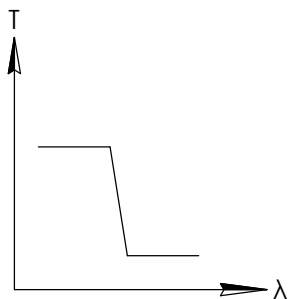
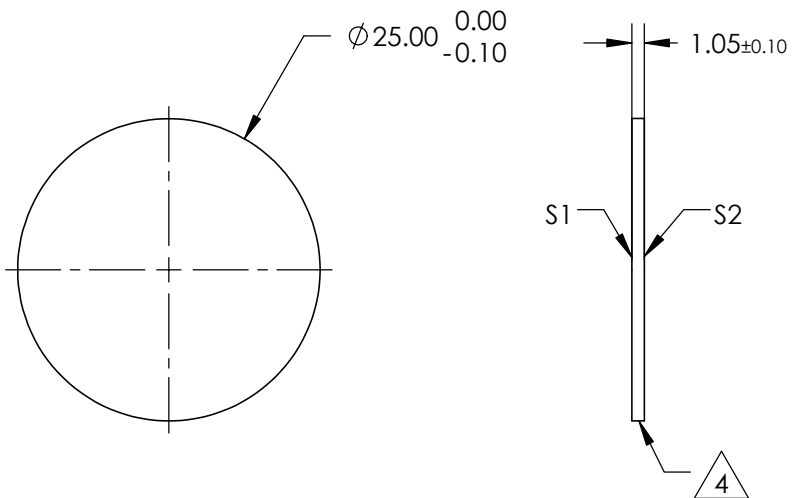
**FOR INFORMATION ONLY:  
DO NOT MANUFACTURE  
PARTS TO THIS DRAWING**



1. SUBSTRATE
  2. SURFACE S2 TO BE PARALLEL WITH SURFACE S1 TO WITHIN 5 arcsec
  3. COATING (APPLY ACROSS COATING APERTURE)  
ENVIRONMENTAL DURABILITY:  
PHYSICAL DURABILITY:  
PERFORMANCE SPECIFICATIONS:  
T(avg): >85% FROM 325 - 430nm FOR RANDOM POLARIZATION @ 45° AOI  
T(abs): >80% FROM 325 - 430nm FOR ALL POLARIZATIONS @ 45° AOI  
R(avg): >97% FROM 470 - 545nm FOR RANDOM POLARIZATION @ 45° AOI  
R(abs): >95% FROM 470 - 545nm FOR ALL POLARIZATIONS @ 45° AOI  
T(abs): = 50% 450nm @ 45° AOI
- S1: HARD COATED  
S2: SINGLE LAYER MgF2

 FINE GRIND SURFACE

5. POWER, IRREGULARITY, AND SURFACE QUALITY SPECIFICATIONS  
APPLY ACROSS CLEAR APERTURE
6. TRANSMITTED WAVEFRONT DISTORTION RMS@ 632.8nm  $\leq \frac{1}{4} \lambda$
7. ROHS COMPLIANT



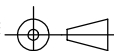
SHORTPASS FILTER

SPECIFICATIONS SUBJECT TO CHANGE WITHOUT NOTICE  
DIMENSIONS ARE FOR REFERENCE ONLY

	S1	S2
SHAPE	PLANO	PLANO
SURFACE QUALITY	40-20	40-20
CLEAR APERTURE	$\varnothing 22.00$	$\varnothing 22.00$
COATING APERTURE	$\varnothing 24.00$	$\varnothing 24.00$
BEVEL	PROTECTIVE AS NEEDED	PROTECTIVE AS NEEDED

 **Edmund Optics®**

THIRD ANGLE  
PROJECTION



TITLE

$\varnothing 25\text{mm}$ , 450nm DICHROIC SHORTPASS FILTER

DWG NO

69201

ALL DIMS IN

mm

SHEET  
1 OF 1