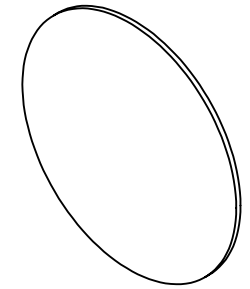


NOTES:

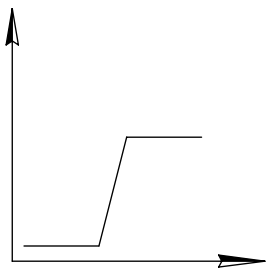
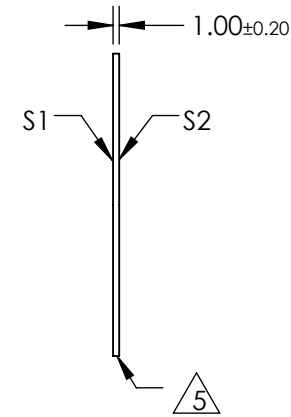
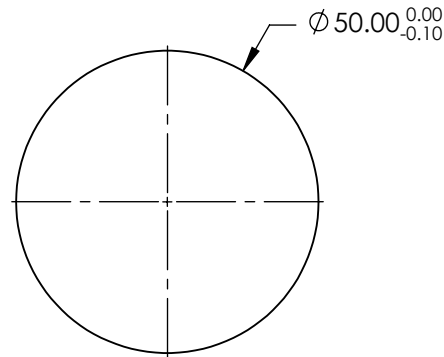
1. SUBSTRATE:  
GERMANIUM (GE)
2. SURFACE S2 TO BE PARALLEL TO SURFACE S1 TO WITHIN <10 arcmin
3. TRANSMISSION (%): >85%
4. CUT-ON WAVELENGTH: 7.30.0μm

**FOR INFORMATION ONLY:  
DO NOT MANUFACTURE  
PARTS TO THIS DRAWING**



 FINE GRIND SURFACE

6. POWER, IRREGULARITY, AND SURFACE QUALITY SPECIFICATION APPLY  
ACROSS CLEAR APERTURE
7. RoHS: COMPLIANT



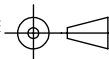
LONGPASS FILTER

SPECIFICATIONS SUBJECT TO CHANGE WITHOUT NOTICE  
DIMENSIONS ARE FOR REFERENCE ONLY

Rev. A	S1	S2
SHAPE	PLANO	PLANO
SURFACE QUALITY	80-50	80-50
COATING APERTURE	Ø45	Ø45
SURFACE FLATNESS	3 - 5λ	3 - 5λ
BEVEL	PROTECTIVE AS NEEDED	PROTECTIVE AS NEEDED

 **Edmund Optics®**

THIRD ANGLE  
PROJECTION



TITLE

Ø50mm, 7.30μm, INFRARED LONGPASS FILTER

ALL DIMS IN

mm

DWG NO

68662

SHEET  
1 OF 1