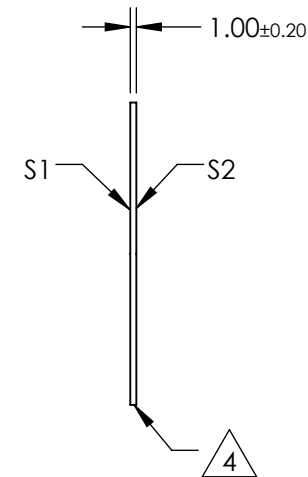
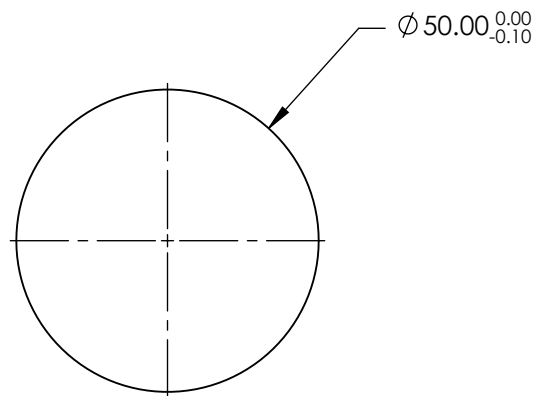
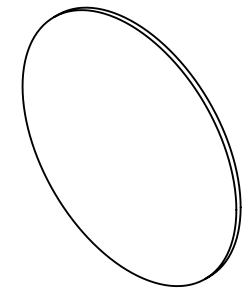
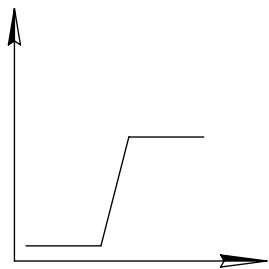


**FOR INFORMATION ONLY:
DO NOT MANUFACTURE
PARTS TO THIS DRAWING**



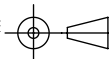
SPECIFICATIONS SUBJECT TO CHANGE WITHOUT NOTICE
DIMENSIONS ARE FOR REFERENCE ONLY



LONGPASS FILTER

Rev. A	S1	S2
SHAPE	PLANO	PLANO
SURFACE QUALITY	60-40	60-40
COATING APERTURE	$\varnothing 45$	$\varnothing 45$
SURFACE FLATNESS	3 - 5 λ	3 - 5 λ
BEVEL	PROTECTIVE AS NEEDED	PROTECTIVE AS NEEDED

THIRD ANGLE
PROJECTION



ALL DIMS IN

mm

EO® Edmund Optics®

TITLE

$\varnothing 50\text{mm}$, 1.65 μm , INFRARED LONGPASS FILTER

DWG NO

68658

SHEET
1 OF 1