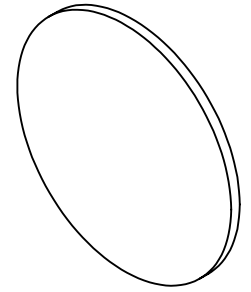


NOTES:

1. SUBSTRATE:
SILICON (SI)
2. SURFACE S2 TO BE PARALLEL TO SURFACE S1 TO WITHIN <10 arcmin
3. TRANSMISSION (%): >85%
4. CUT-ON WAVELENGTH: 1.05.0µm
5. FINE GRIND SURFACE
6. POWER, IRREGULARITY, AND SURFACE QUALITY SPECIFICATION APPLY
ACROSS CLEAR APERTURE
7. RoHS: COMPLIANT

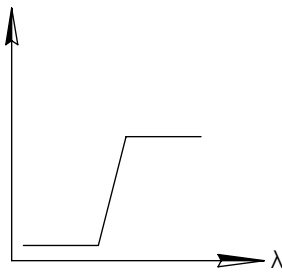
**FOR INFORMATION ONLY:
DO NOT MANUFACTURE
PARTS TO THIS DRAWING**



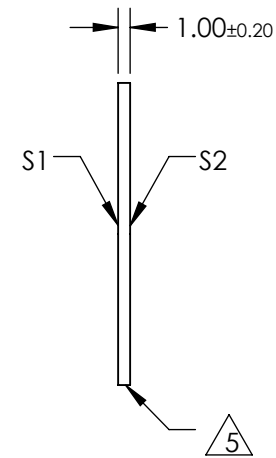
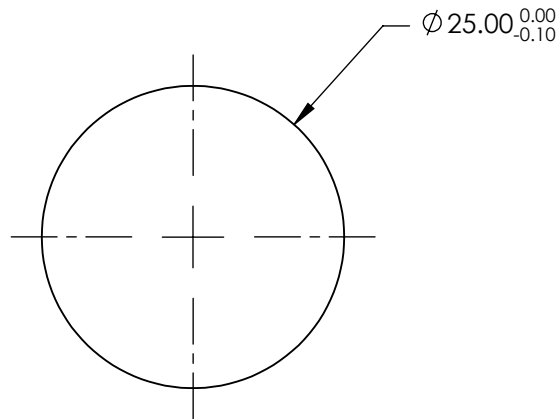
5 FINE GRIND SURFACE

6. POWER, IRREGULARITY, AND SURFACE QUALITY SPECIFICATION APPLY
ACROSS CLEAR APERTURE

7. RoHS: COMPLIANT



LONGPASS FILTER

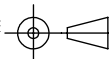


SPECIFICATIONS SUBJECT TO CHANGE WITHOUT NOTICE
DIMENSIONS ARE FOR REFERENCE ONLY

Rev. A	S1	S2
SHAPE	PLANO	PLANO
SURFACE QUALITY	80-50	80-50
CLEAR APERTURE	3 - 5λ	3 - 5λ
COATING APERTURE	Ø22.5	Ø22.5
BEVEL	PROTECTIVE AS NEEDED	PROTECTIVE AS NEEDED

EO® Edmund Optics®

THIRD ANGLE
PROJECTION



TITLE

Ø25mm, 1.05µm, INFRARED LONGPASS FILTER

ALL DIMS IN

mm

DWG NO

68651

SHEET
1 OF 1