

NOTES:

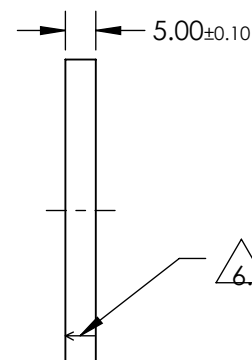
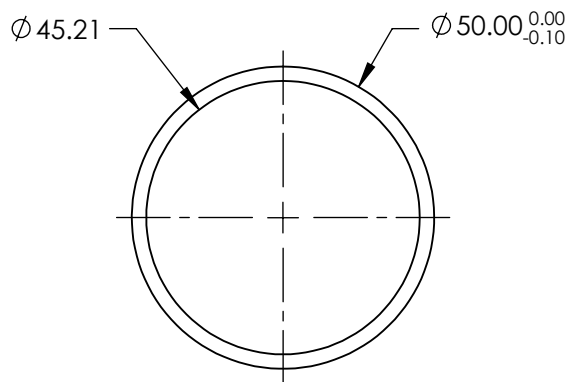
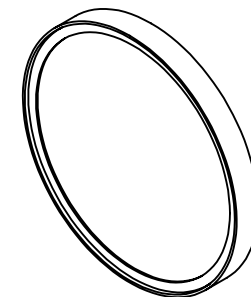
1. CONSTRUCTION: MOUNTED IN BLACK ANODIZED RING
2. COATING (APPLY ACROSS COATING APERTURE)

DURABILITY: MIL-C-48497A
 PERFORMANCE SPECIFICATIONS:
 CWL: 785nm
 FWHM: 39.2nm ± 3.9nm

R (ABS) > 99% @785±7.9nm
 T (ABS) < 0.01% @785±7.9nm
 T (AVG) > 90% FROM 585 - 761.5nm
 T (AVG) > 90% FROM 808.5 - 1045nm

3. SURFACE QUALITY: 60-40
4. TRANSMITTED WAVEFRONT DISTORTION RMS @632.8nm: 1λ
5. ROHS COMPLIANT

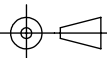
 ARROW ON PART POINTS TOWARDS COATED SURFACE



**FOR INFORMATION ONLY:
 DO NOT MANUFACTURE
 PARTS TO THIS DRAWING**

SPECIFICATIONS SUBJECT TO CHANGE WITHOUT NOTICE
 DIMENSIONS ARE FOR REFERENCE ONLY



 THIRD ANGLE PROJECTION		TITLE	OD4, Ø50mm, 785nm, NOTCH FILTER	
ALL DIMS IN	mm	DWG NO	67130	SHEET 1 OF 1