

NOTES:

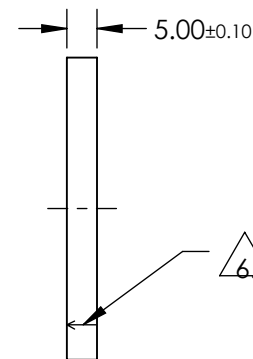
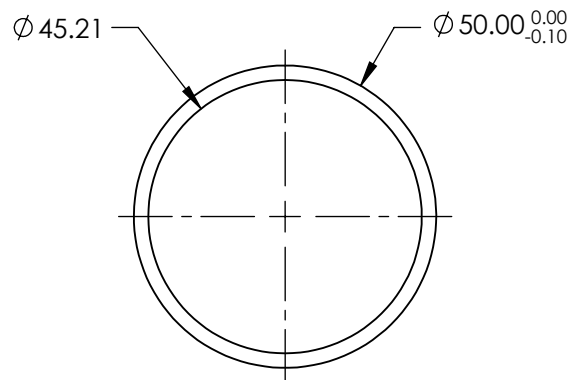
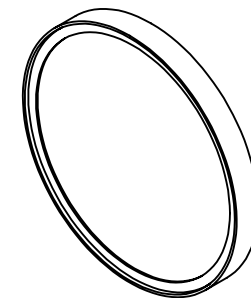
1. CONSTRUCTION: MOUNTED IN BLACK ANODIZED RING
2. COATING (APPLY ACROSS COATING APERTURE)

DURABILITY: MIL-C-48497A  
 PERFORMANCE SPECIFICATIONS:  
 CWL: 632.8nm  
 FWHM: 31.6nm ± 3.2nm

R (ABS) > 99% @632.8±6.3nm  
 T (ABS) < 0.01% @632.8±6.3nm  
 T (AVG) > 90% FROM 475 - 613.8nm  
 T (AVG) > 90% FROM 651.8 - 845nm

3. SURFACE QUALITY: 60-40
4. TRANSMITTED WAVEFRONT DISTORTION RMS @632.8nm: <math>1\lambda</math>
5. ROHS COMPLIANT

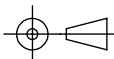
 ARROW ON PART POINTS TOWARDS COATED SURFACE



**FOR INFORMATION ONLY:  
 DO NOT MANUFACTURE  
 PARTS TO THIS DRAWING**

SPECIFICATIONS SUBJECT TO CHANGE WITHOUT NOTICE  
 DIMENSIONS ARE FOR REFERENCE ONLY



THIRD ANGLE PROJECTION 		TITLE	OD4, Ø50mm, 632.8nm, NOTCH FILTER	
ALL DIMS IN	mm	DWG NO	67129	SHEET 1 OF 1