

NOTES:

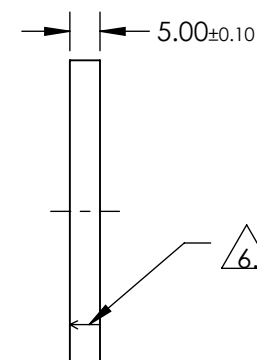
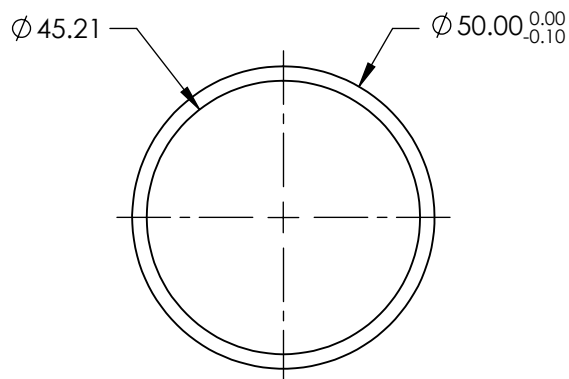
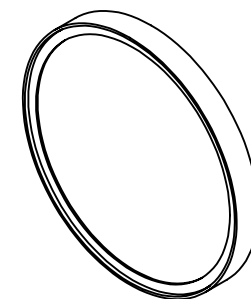
1. CONSTRUCTION: MOUNTED IN BLACK ANODIZED RING
2. COATING (APPLY ACROSS COATING APERTURE)

DURABILITY: MIL-C-48497A
 PERFORMANCE SPECIFICATIONS:
 CWL: 532nm
 FWHM: 26.6nm ± 2.7nm

R (ABS) > 99% @532±5.3nm
 T (ABS) < 0.01% @532±5.3nm
 T (AVG) > 90% FROM 400 - 516nm
 T (AVG) > 90% FROM 548 - 700nm

3. SURFACE QUALITY: 60-40
4. TRANSMITTED WAVEFRONT DISTORTION RMS @632.8nm: 1λ
5. ROHS COMPLIANT

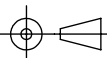
 ARROW ON PART POINTS TOWARDS COATED SURFACE



**FOR INFORMATION ONLY:
 DO NOT MANUFACTURE
 PARTS TO THIS DRAWING**

SPECIFICATIONS SUBJECT TO CHANGE WITHOUT NOTICE
 DIMENSIONS ARE FOR REFERENCE ONLY



THIRD ANGLE PROJECTION 		TITLE	OD4, Ø50mm, 532nm, NOTCH FILTER	
ALL DIMS IN	mm	DWG NO	67128	SHEET 1 OF 1