

NOTES:

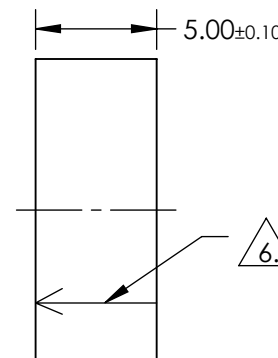
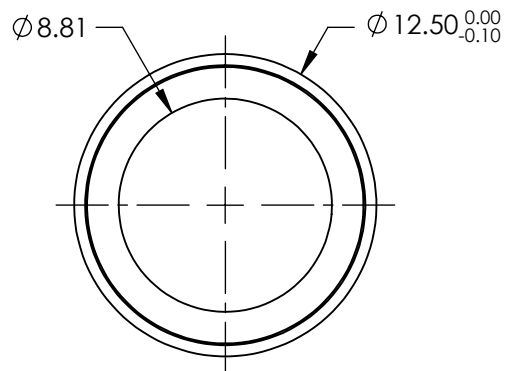
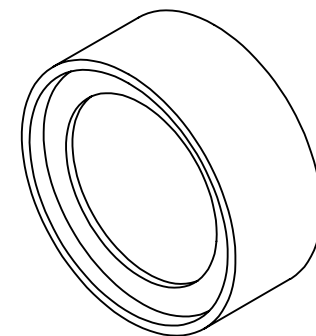
1. CONSTRUCTION: MOUNTED IN BLACK ANODIZED RING
2. COATING (APPLY ACROSS COATING APERTURE)

DURABILITY: MIL-C-48497A
 PERFORMANCE SPECIFICATIONS:
 CWL: 980nm
 FWHM: 49nm ± 4.9nm

R (ABS) > 99% @980±9.8nm
 T (ABS) < 0.01% @980±9.8nm
 T (AVG) > 90% FROM 735 - 950.6nm
 T (AVG) > 90% FROM 1009.4 - 1300nm

3. SURFACE QUALITY: 60-40
4. TRANSMITTED WAVEFRONT DISTORTION RMS @632.8nm: <1λ
5. ROHS COMPLIANT

△ 6. ARROW ON PART POINTS TOWARDS COATED SURFACE



**FOR INFORMATION ONLY:
 DO NOT MANUFACTURE
 PARTS TO THIS DRAWING**

SPECIFICATIONS SUBJECT TO CHANGE WITHOUT NOTICE
 DIMENSIONS ARE FOR REFERENCE ONLY



THIRD ANGLE PROJECTION		TITLE	OD4, Ø12.5mm, 980nm, NOTCH FILTER	
ALL DIMS IN	mm	DWG NO	67113	SHEET 1 OF 1