

NOTES:

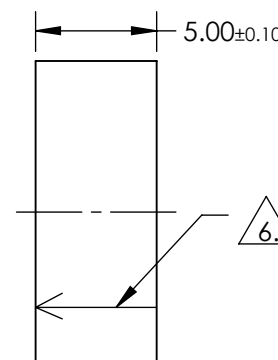
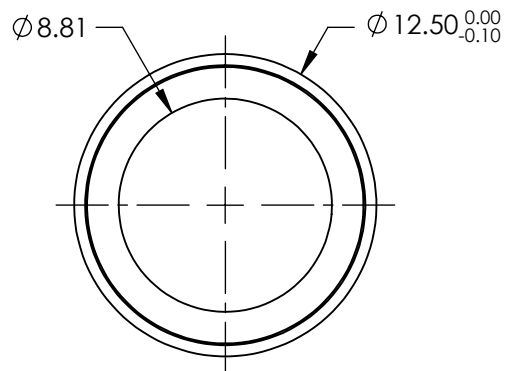
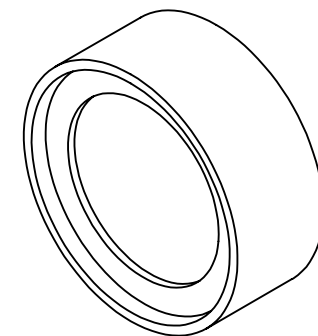
1. CONSTRUCTION: MOUNTED IN BLACK ANODIZED RING
2. COATING (APPLY ACROSS COATING APERTURE)

DURABILITY: MIL-C-48497A  
 PERFORMANCE SPECIFICATIONS:  
 CWL: 405nm  
 FWHM: 20.2nm ± 2.0nm

R (ABS) > 99% @ 405±4.1nm  
 T (ABS) < 0.01% @405±4.1nm  
 T (AVG) > 90% FROM 325 - 392.9nm  
 T (AVG) > 90% FROM 417.1 - 540nm

3. SURFACE QUALITY: 60-40
4. TRANSMITTED WAVEFRONT DISTORTION RMS @632.8nm: <math>1\lambda</math>
5. ROHS COMPLIANT

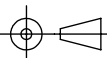
 ARROW ON PART POINTS TOWARDS COATED SURFACE



**FOR INFORMATION ONLY:  
 DO NOT MANUFACTURE  
 PARTS TO THIS DRAWING**

SPECIFICATIONS SUBJECT TO CHANGE WITHOUT NOTICE  
 DIMENSIONS ARE FOR REFERENCE ONLY

 **Edmund Optics®**

THIRD ANGLE PROJECTION 		TITLE	OD4, Ø12.5mm, 405nm, NOTCH FILTER	
ALL DIMS IN	mm	DWG NO	67107	SHEET 1 OF 1