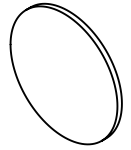


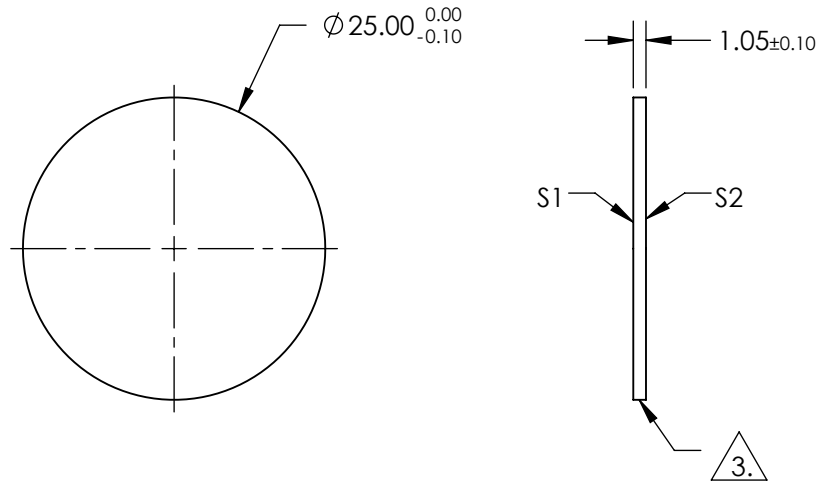
NOTES:

1. SUBSTRATE
UV GRADE FUSED SILICA
2. COATING (APPLY ACROSS CLEAR APERTURE)
HARD COATED
PERFORMANCE SPECS:
T(AVG) = 90% FROM 467 - 600nm @ 45 ° AOI
R(AVG) = 98% FROM 415 - 450nm @ 45 ° AOI
T(ABS) = 50% @ 458nm @ 45 ° AOI



3. FINE GRIND SURFACE

4. SURFACE QUALITY SPECIFICATIONS APPLY ACROSS CLEAR APERTURE
5. TRANSMITTED WAVEFRONT DISTORTION RMS @ 632.8nm $\leq 1\lambda$
6. ROHS COMPLIANT



**FOR INFORMATION ONLY:
DO NOT MANUFACTURE
PARTS TO THIS DRAWING**

SPECIFICATIONS SUBJECT TO CHANGE WITHOUT NOTICE
DIMENSIONS ARE FOR REFERENCE ONLY

	S1	S2				
SHAPE	PLANO	PLANO				
SURFACE QUALITY	60-40	60-40	THIRD ANGLE PROJECTION		TITLE	458nm, 25.0mm DIAMETER, DICHOIC FILTER
CLEAR APERTURE	Ø22.00	Ø22.00	ALL DIMS IN	mm	DWG NO	67070
BEVEL	PROTECTIVE AS NEEDED	PROTECTIVE AS NEEDED				SHEET 1 OF 1