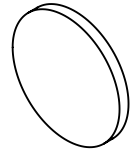


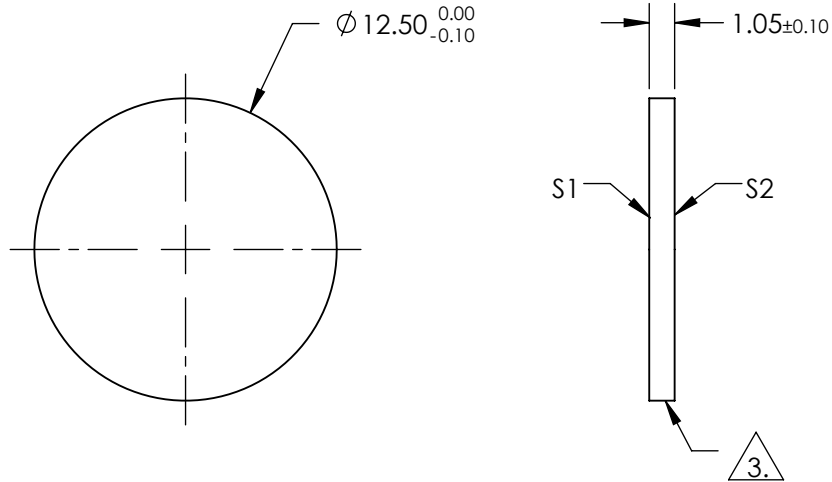
NOTES:

1. SUBSTRATE  
UV GRADE FUSED SILICA
2. COATING (APPLY ACROSS CLEAR APERTURE)  
HARD COATED  
PERFORMANCE SPECS:  
T(AVG) = 90% FROM 600 - 800nm @ 45 ° AOI  
R(AVG) = 98% FROM 520 - 585nm @ 45 ° AOI  
T(ABS) = 50% @ 593nm @ 45 ° AOI



3. FINE GRIND SURFACE

4. SURFACE QUALITY SPECIFICATIONS APPLY ACROSS CLEAR APERTURE
5. TRANSMITTED WAVEFRONT DISTORTION RMS @ 632.8nm  $\leq 1\lambda$
6. ROHS COMPLIANT



**FOR INFORMATION ONLY:  
DO NOT MANUFACTURE  
PARTS TO THIS DRAWING**

SPECIFICATIONS SUBJECT TO CHANGE WITHOUT NOTICE  
DIMENSIONS ARE FOR REFERENCE ONLY

	S1	S2				
SHAPE	PLANO	PLANO				
SURFACE QUALITY	60-40	60-40	THIRD ANGLE PROJECTION		TITLE	593nm, 12.5mm DIAMETER, DICHOIC FILTER
CLEAR APERTURE	$\varnothing 11.00$	$\varnothing 11.00$	ALL DIMS IN	mm	DWG NO	67059
BEVEL	PROTECTIVE AS NEEDED	PROTECTIVE AS NEEDED				SHEET 1 OF 1