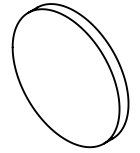


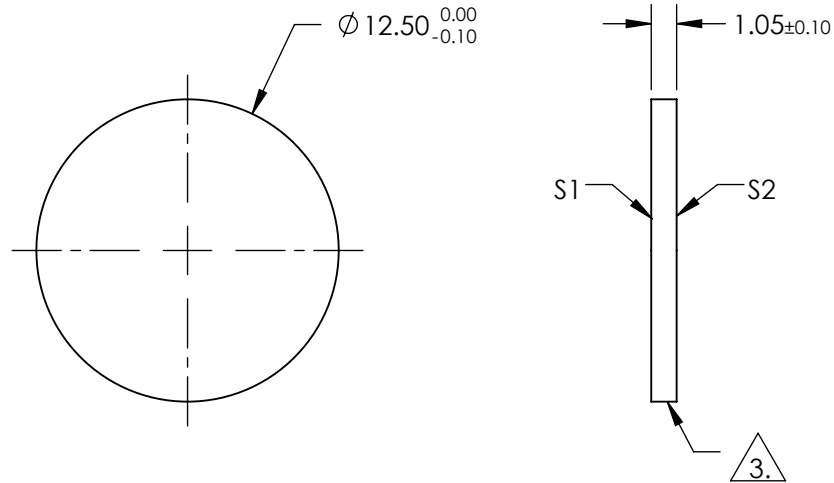
NOTES:

1. SUBSTRATE  
UV GRADE FUSED SILICA
2. COATING (APPLY ACROSS CLEAR APERTURE)  
HARD COATED  
PERFORMANCE SPECS:  
T(AVG) = 90% FROM 570 - 750nm @ 45 ° AOI  
R(AVG) = 98% FROM 490 - 554nm @ 45 ° AOI  
T(ABS) = 50% @ 562nm @ 45 ° AOI



3. FINE GRIND SURFACE

4. SURFACE QUALITY SPECIFICATIONS APPLY ACROSS CLEAR APERTURE
5. TRANSMITTED WAVEFRONT DISTORTION RMS @ 632.8nm  $\leq 1\lambda$
6. ROHS COMPLIANT

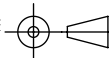


**FOR INFORMATION ONLY:  
DO NOT MANUFACTURE  
PARTS TO THIS DRAWING**

SPECIFICATIONS SUBJECT TO CHANGE WITHOUT NOTICE  
DIMENSIONS ARE FOR REFERENCE ONLY

	S1	S2
SHAPE	PLANO	PLANO
SURFACE QUALITY	60-40	60-40
CLEAR APERTURE	$\varnothing 11.00$	$\varnothing 11.00$
BEVEL	PROTECTIVE AS NEEDED	PROTECTIVE AS NEEDED

THIRD ANGLE  
PROJECTION



ALL DIMS IN

mm

**EO**® Edmund Optics®

TITLE	562nm, 12.5mm DIAMETER, DICHOIC FILTER
DWG NO	67058
SHEET	1 OF 1