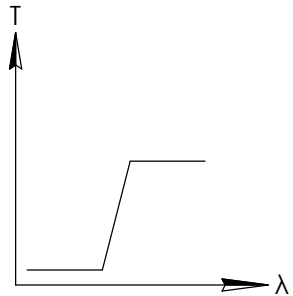
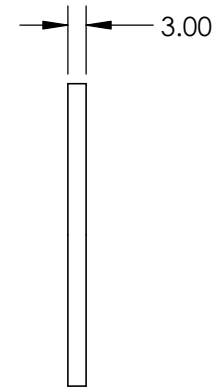
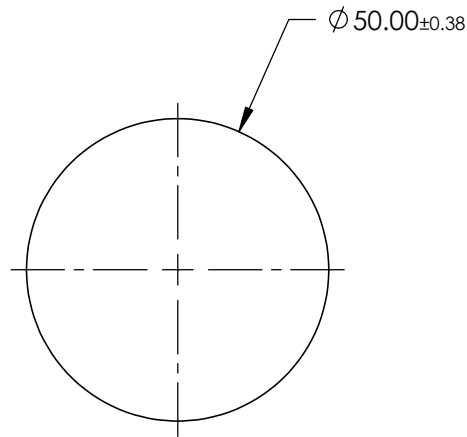
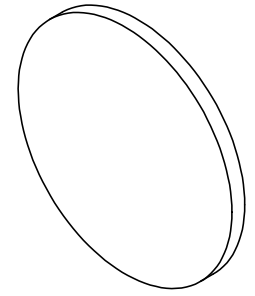


**FOR INFORMATION ONLY:
DO NOT MANUFACTURE
PARTS TO THIS DRAWING**



LONGPASS FILTER

SPECIFICATIONS SUBJECT TO CHANGE WITHOUT NOTICE
DIMENSIONS ARE FOR REFERENCE ONLY

REV. A	VALUE
SHAPE	PLANO
SPECTRAL TRANSMITTANCE $\tau_{ip}(\%)$	92
PASSBAND LIMIT λ_{p1} (nm)	550
CUT-OFF POSITION λ_c (nm)	475 \pm 6
STOPBAND LIMIT λ_s (nm)	410
WAVELENGTH	VIS
BEVEL	PROTECTIVE AS NEEDED



ALL DIMS IN

mm

TITLE

$\varnothing 50\text{mm}$, Longpass Glass Color Filter

DWG NO

66082

SHEET
1 OF 1