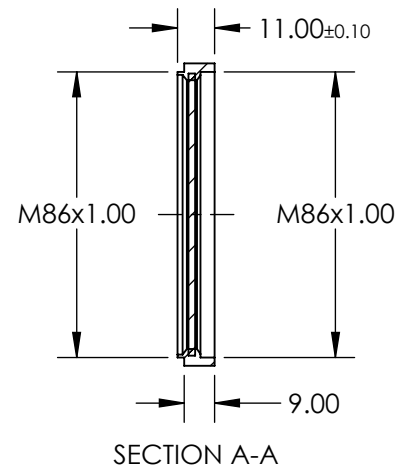
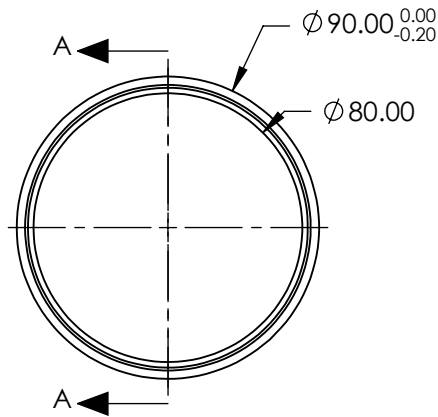


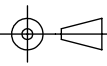
**FOR INFORMATION ONLY:  
DO NOT MANUFACTURE  
PARTS TO THIS DRAWING**



SPECIFICATIONS SUBJECT TO CHANGE WITHOUT NOTICE  
DIMENSIONS ARE FOR REFERENCE ONLY

**EO**® Edmund Optics®

REV. A	VALUE
POLARIZATION EFFICIENCY	95%
TRANSMISSION	SINGLE: 30%; CROSSED: 0.15%

THIRD ANGLE PROJECTION 	TITLE	M86 x 1.00 MOUNTED LINEAR GLASS POLARIZING FILTER	
ALL DIMS IN mm	DWG NO	64902	SHEET 1 OF 1