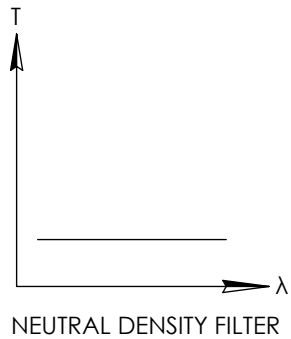
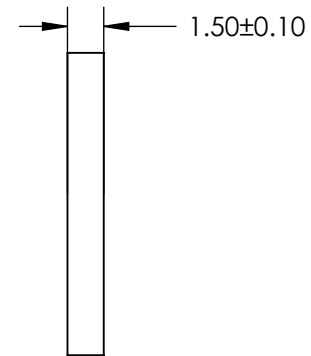
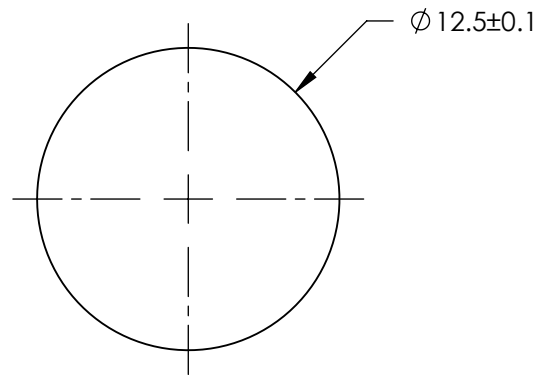
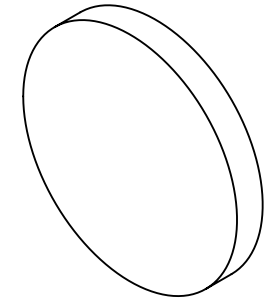
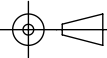


**FOR INFORMATION ONLY:  
DO NOT MANUFACTURE  
PARTS TO THIS DRAWING**



SPECIFICATIONS SUBJECT TO CHANGE WITHOUT NOTICE  
DIMENSIONS ARE FOR REFERENCE ONLY

**EO**<sup>®</sup> **Edmund Optics**<sup>®</sup>

|  |    |        |  |              |
|--|----|--------|--|--------------|
| THIRD ANGLE PROJECTION  |    | TITLE  | OD 1, $\phi 12.5$ mm NIR, NON-REFLECTIVE ND FILTER |              |
| ALL DIMS IN  | mm | DWG NO | 63400  | SHEET 1 OF 1 |