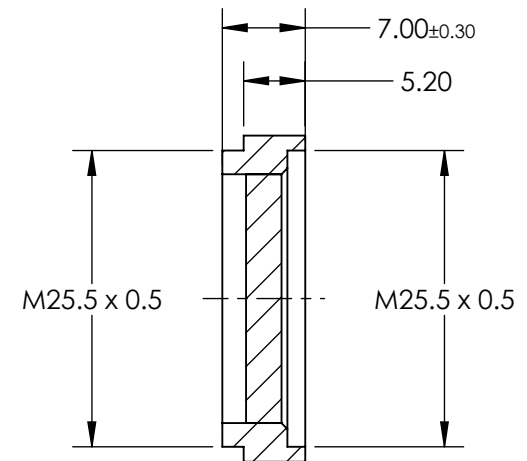
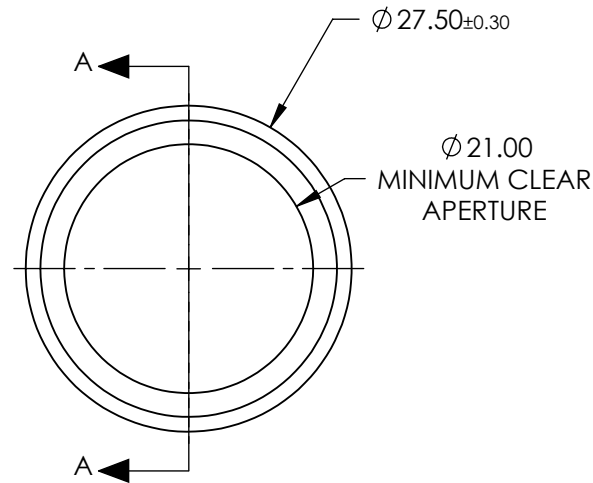
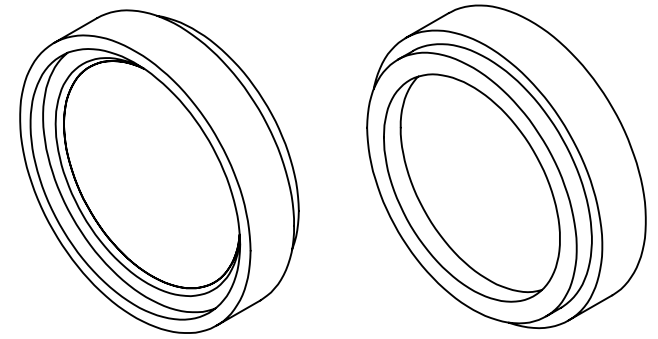


NOTES:

1. SUBSTRATE:
ND Filter Glass
2. OPTICAL DENSITY: 0.9
3. COATING SPECIFICATION:
AR Coating: MgF₂
R(AVG) ≤ 1.75% @ 400 - 700nm
4. TRANSMISSION (%): 12.5
5. FILTER THREAD: M25.5 x 0.5

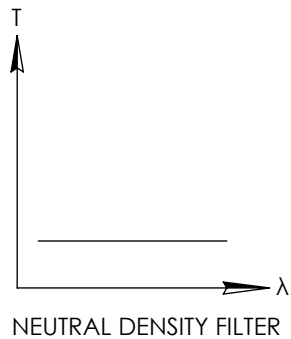
**FOR INFORMATION ONLY:
DO NOT MANUFACTURE
PARTS TO THIS DRAWING**



SECTION A-A

SPECIFICATIONS SUBJECT TO CHANGE WITHOUT NOTICE
DIMENSIONS ARE FOR REFERENCE ONLY

EO® Edmund Optics®



	S1	S2	THIRD ANGLE PROJECTION		TITLE	FILTER ND MTD 0.9OD 25.5X0.5	
SHAPE	PLANO	PLANO	ALL DIMS IN	mm	DWG NO	59173	SHEET 1 OF 1
SURFACE QUALITY	80-50	80-50					