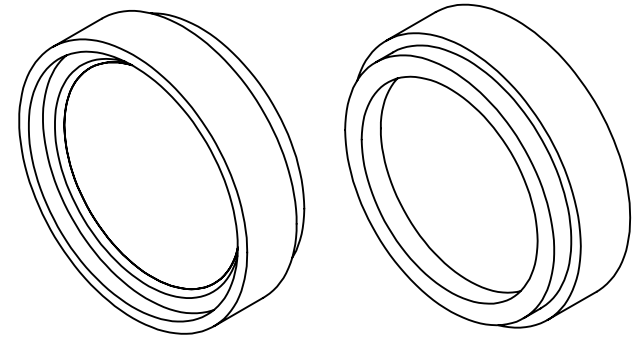
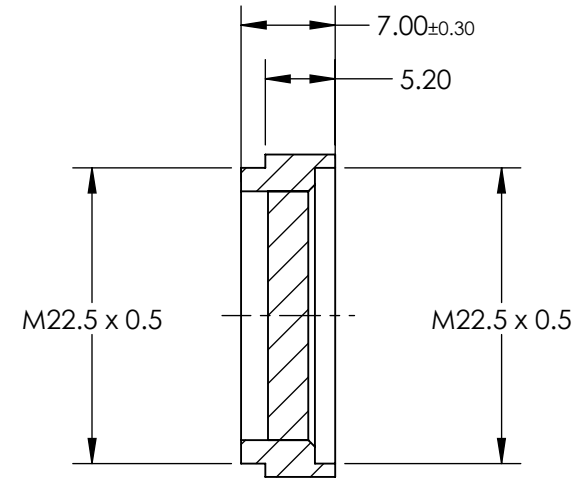
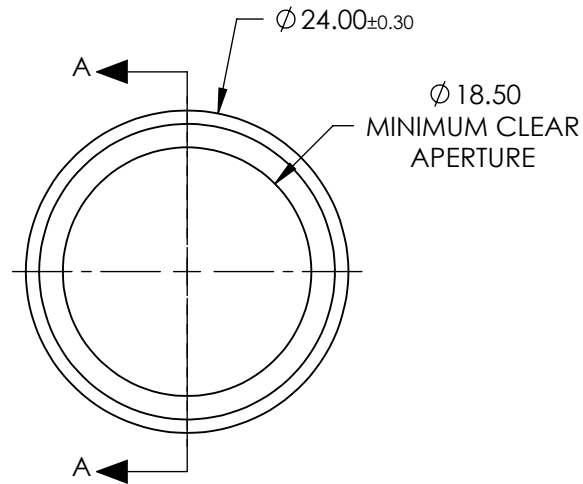


NOTES:

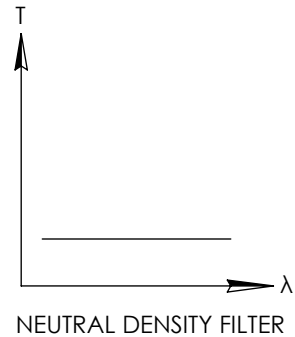
1. SUBSTRATE:  
ND Filter Glass
2. OPTICAL DENSITY: 0.9
3. COATING SPECIFICATION:  
AR Coating: MgF2  
R(AVG) ≤ 1.75% @ 400 - 700nm
4. TRANSMISSION (%): 12.5
5. FILTER THREAD: M22.5 x 0.5



**FOR INFORMATION ONLY:  
DO NOT MANUFACTURE  
PARTS TO THIS DRAWING**



SECTION A-A



SPECIFICATIONS SUBJECT TO CHANGE WITHOUT NOTICE  
DIMENSIONS ARE FOR REFERENCE ONLY

**EO**® Edmund Optics®

	S1	S2
SHAPE	PLANO	PLANO
SURFACE QUALITY	80-50	80-50

THIRD ANGLE PROJECTION

ALL DIMS IN mm

TITLE	FILTER ND MTD 0.9OD 22.5X0.5		
DWG NO	59172	SHEET	1 OF 1