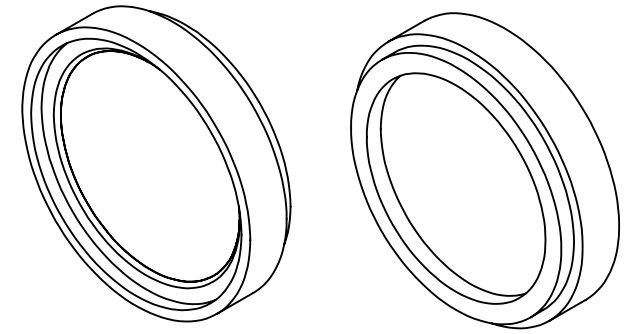
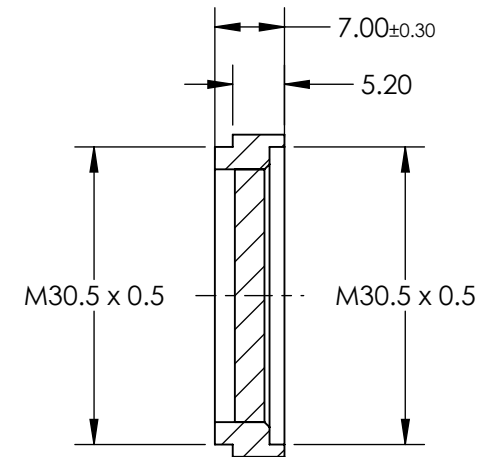
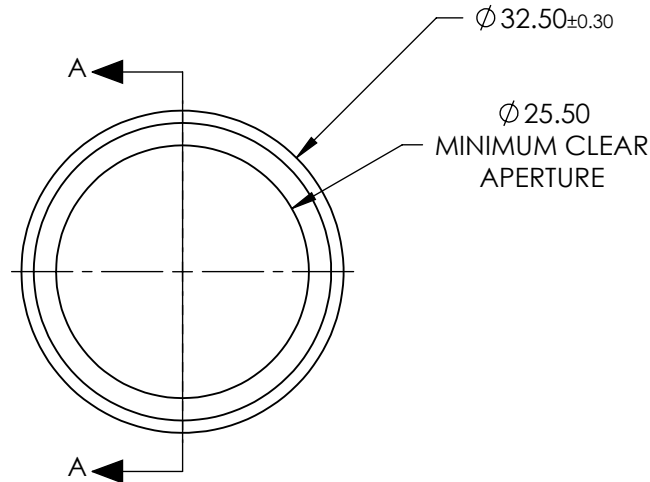


NOTES:

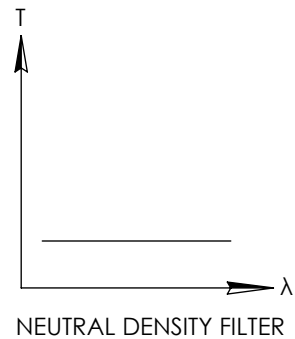
1. SUBSTRATE:
ND Filter Glass
2. OPTICAL DENSITY: 0.3
3. COATING SPECIFICATION:
AR Coating: MgF₂
R(AVG) ≤ 1.75% @ 400 - 700nm
4. TRANSMISSION (%): 50
5. FILTER THREAD: M30.5 x 0.5



**FOR INFORMATION ONLY:
DO NOT MANUFACTURE
PARTS TO THIS DRAWING**



SECTION A-A



SPECIFICATIONS SUBJECT TO CHANGE WITHOUT NOTICE
DIMENSIONS ARE FOR REFERENCE ONLY



	S1	S2
SHAPE	PLANO	PLANO
SURFACE QUALITY	80-50	80-50

THIRD ANGLE PROJECTION	TITLE	FILTER ND MTD 0.3OD 30.5X0.5	
ALL DIMS IN mm	DWG NO	59164	SHEET 1 OF 1